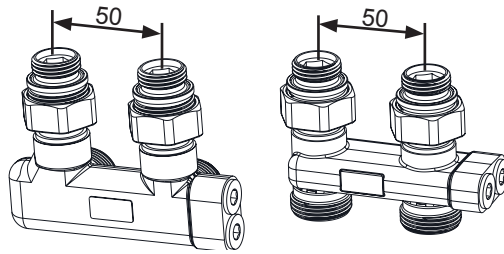


**0541-50.000 / 0542-50.000**

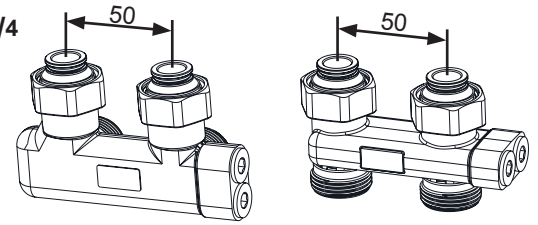
**Rp 1/2**



0541-50.000

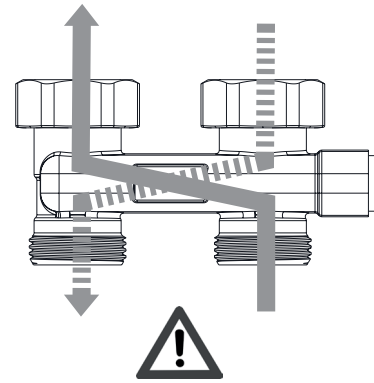
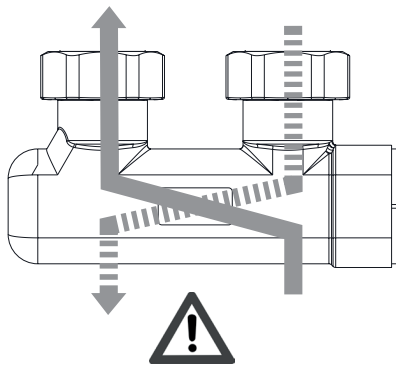
0542-50.000

**G 3/4**

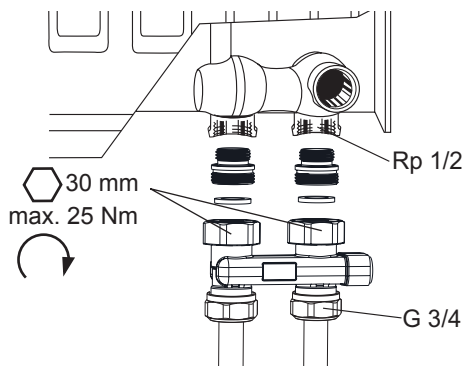


0541-50.000

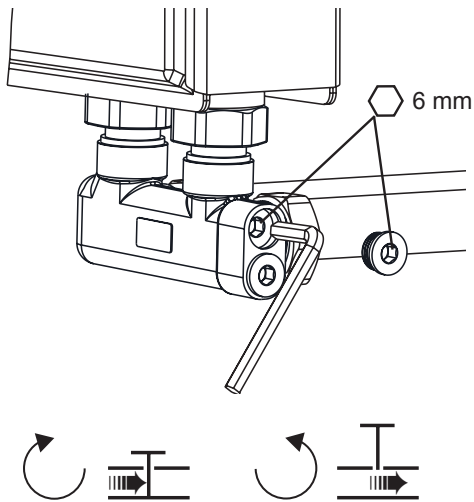
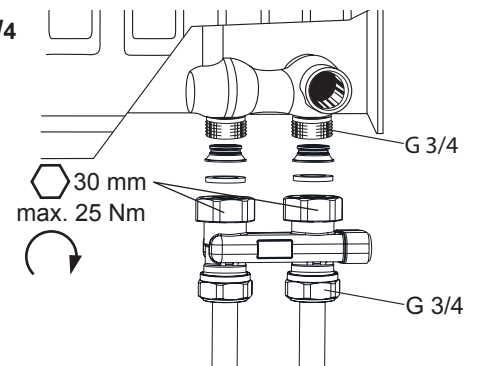
0542-50.000



**Rp 1/2**



**G 3/4**



**0541-05.000**  
**KVs= 1,32**

**0542-05.000**  
**KVs= 1,04**

