



Tender specification:

Oventrop domestic water stations, DVGW certified, without dead zone, sound absorbing product group I, consisting of backflush filter, balanced pressure reducer, pressure gauge indicating the pressure at the station outlet, draining connection with venting holes, swivel connection piece with male threaded couplings made of bronze for horizontal and vertical installation, body and transparent cup made of plastic, filter insert with stainless steel screen, use in potable water installations, PN 16, water temperature up to 30 °C, minimum pressure at the station inlet 1.5 bar, max. pressure at the station inlet 16 bar, pressure at the station outlet adjustable between 1.5 and 6 bar, preset at works to 4 bar. Memory ring with fortnightly setting. Automatic backflushing when opening the ball valve.

Models:

DN 20
DN 25
DN 32

Item no.:

4204506
4204508
4204510

Application:

The domestic water station is installed between two isolating valves (in the direction of flow behind the water meter) in potable water installations according to DIN 1988. During installation, the local rules, technical regulations as well as the installation instructions have to be observed. The direction of flow is indicated on the connection piece supplied with the water station. A frost-free and easily accessible installation position of the water station must be ensured. The filters must not be installed at locations exposed to UV rays (e.g. sunlight) or solvent vapours.

Description and function:

The pressure reducer integrated in the water station protects the succeeding potable water system from too high a pressure. The pressure behind the station (nominal value) which may be set at the handwheel, is maintained almost constant event with transient pressures in front of the water station. It can be read off the pressure gauge.

Backflushing is set off automatically when the ball valve is opened. During this, a rotating nozzle (impeller) producing a concentrated water jet is actuated with the latter cleaning the filter screen with high pressure from the inside to the outside. All dirt particles are thus removed reliably and are completely flushed via the draining connection.

Technical data:

Pressure at the station inlet: min. 1.5 bar
max. 16 bar

Pressure at the station outlet (adjustable): 1.5 up to 6 bar (preset at works to 4 bar)

Max. water temperature: 30 °C

Mesh size: 95 up to 110 µm

k_{vS} value, DN 20: 5.5 m³/h

k_{vS} value, DN 25: 6.0 m³/h

k_{vS} value, DN 32: 6.5 m³/h

DVGW certified

Sound absorbing, product group I



Domestic water station

Installation and operation:

Installation:

1. Flush the pipework.
2. Install the swivel connection piece free from tension and without transverse moment in the direction of flow (arrow on the body) into the horizontal or vertical pipework.
3. Fit the water station in vertical position with the help of the supplied seal and fixing screws.
4. Screw the draining connection into the filter cup without using excessive force.

Draining of the backflush water:

1. Direct connection
Extend the draining connection (Ø 50 mm) to the Ø 70 mm draining pipe to avoid back draught.
2. Drainage into tank or floor drainage
Note: About 25 l drain water are to be expected with an operating pressure of 4 bar and a backflush operation taking 15 s.

Setting of the pressure at the station outlet:

1. Close the valve in the flow direction at the inlet of the domestic water station and carry out pressure balance of the station e.g. by drawing off water.
2. Loosen the slotted screw of the handwheel (do not unscrew!) and turn the handwheel anticlockwise (-) until relief of the spring for nominal pressure.
3. Close the valve in the flow direction at the outlet of the domestic water station and then open the valve at the inlet of the station slowly.
4. Set the required nominal value (this value can be read off the pressure gauge)
+ : higher values
- : lower values
(when setting lower values, pressure balance has to be carried out on the outlet side)
Secure set nominal value by fastening the slotted screw.
5. Open the valve at the outlet of the station.

Backflushing:

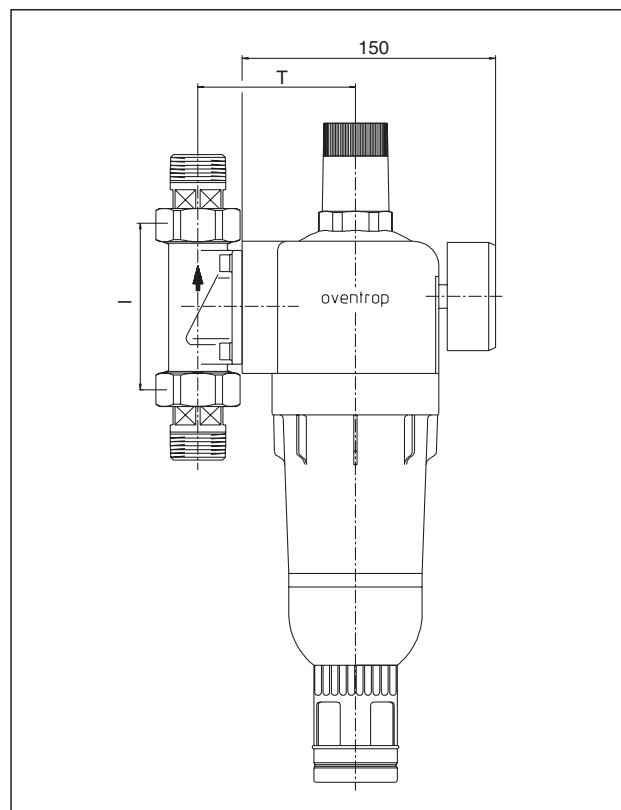
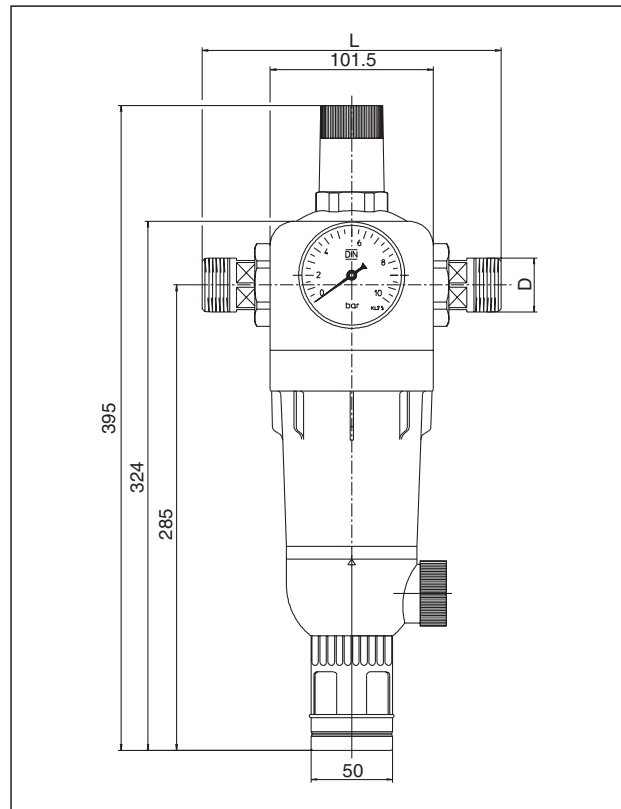
To carry out backflushing, the minimum pressure at the inlet of the station has to be 1.5 bar.

Regular maintenance is essential for a trouble-free operation of the domestic water station. The frequency of backflushing depends on the pollution of the water. For hygienic reasons, backflushing should be carried out once a month (at least every 2 months). To do so, open the ball valve until stop and drain the backflushed water. Finish the backflushing operation after about 15 s by closing the ball valve. Repeat operation if necessary.

Set the memory ring to the next date for backflushing.

Accessories:

	Item no.:
Pressure reducer insert	4204590
Filter insert 100 µm	4204591
Filter cup, complete	4204592
Pressure gauge	4204593



Size	20	25	32
D	R ¾	R 1	R 1¼
L	183	183	195
I	100	100	105
T	92.5	92.5	96.5

Dimensions

Subject to technical modifications without notice.

Product range 8
ti 110-EN/10/MW
Edition 2017