

Description:

The Oventrop bronze oblique pattern globe valves PN 25 are installed in the risers of hot water central heating and cooling systems with closed circuits and allow for the isolation of the risers. The valves are suitable for operation with non-aggressive, harmless fluids, e.g. water or suitable water and glycol mixtures according to VDI 2035/ÖNORM 5195) as well as installations with open circuits which are operated with water.

The Oventrop oblique pattern globe valves are available with and without draining facility. The ball valve of the model with draining facility is suitable for the connection of the capillary of the differential pressure regulator "Hydromat DTR".

The oblique pattern globe valves may be installed in either the supply or the return pipe.

Copper pipes (according to DIN EN 1057) can be connected to the DN 15 and DN 20 female threads by use of the suitable compression fittings "Ofix" (reinforcing sleeves are to be used!).

When installing the valve, it must be ensured that the direction of flow conforms to the arrow on the valve body.

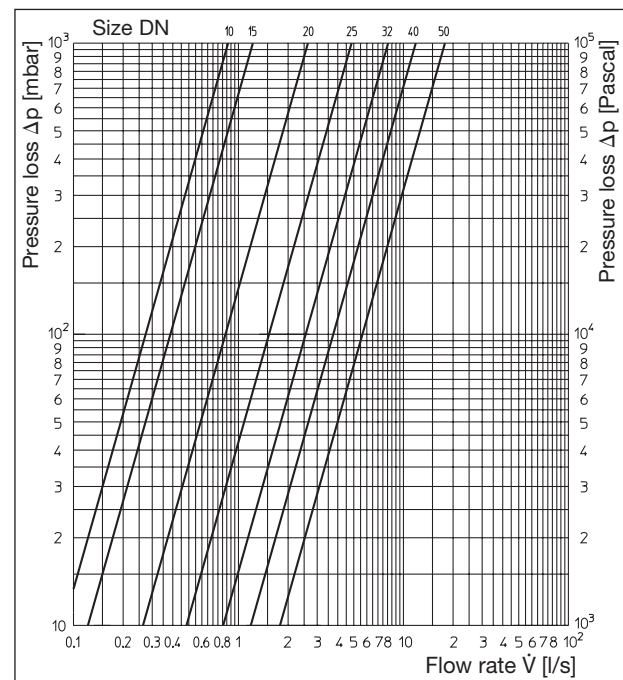
The indicated kvs values are valid for installation of the oblique pattern globe valves in the supply or return pipe on condition that the direction of flow conforms to the arrow on the valve body.

Advantages:

- the location of the functional components in one plane allows for a simple assembly and easy operation
- only one valve for 3 functions:
 - isolating
 - filling
 - draining
- low pressure loss due to oblique pattern model
- connection threads according to EN 10226, suitable for Oventrop compression fittings (1027151-58) for copper pipes up to a maximum of 22 mm and Oventrop composition pipe "Copipe" 14 and 16 mm
- fill and drain ball valve with internal stop and O-ring seal between the valve body and the ball valve (no additional seals required)
- materials suitable for potable water
- position indicator "valve fully open"
- additional sealing when stem fully open
- shank of the stem protected from damage by the handwheel cover
- maintenance-free stem seal



Bronze oblique pattern globe valve without draining facility



Flow chart

Bronze oblique pattern globe valves PN 25 with position indicator

Bronze oblique pattern globe valve PN 25 with and without draining facility

Tender specification:

Oventrop bronze oblique pattern globe valve PN 25 for central heating and cooling systems.

Suitable for water and water and glycol mixtures.

Valve body (oblique pattern) made of bronze, bonnet, disc and stem made of brass, disc with PTFE seal, maintenance-free stem seal due to double O-ring made of EPDM, all functional components in one plane.

Installation in the supply and return pipe.

Technical data:

Max. operating temperature t_s : 150 °C

Min. operating temperature t_s : -10 °C

Max. operating pressure p_s : 25 bar (PN 25)

Models:

Bronze oblique pattern globe valve PN 25 without draining facility

Size:	kvs value:	Item no.:
DN 10	3.1	1050203
DN 15	4.4	1050204
DN 20	9.5	1050206
DN 25	17.4	1050208
DN 32	29.2	1050210
DN 40	42.9	1050212
DN 50	64.0	1050216

Bronze oblique pattern globe valve PN 25 with draining facility (fill and drain ball valve G 1/4)

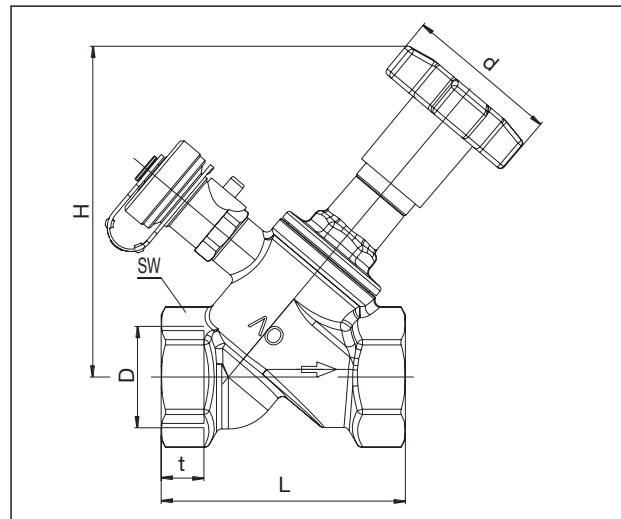
DN 10	3.1	1050303
DN 15	4.4	1050304
DN 20	9.5	1050306
DN 25	17.4	1050308
DN 32	29.2	1050310
DN 40	42.9	1050312
DN 50	64.0	1050316

Accessories:

Extension for ball valve (80 mm)	1060295
Extension for ball valve (40 mm)	1688295

Subject to technical modifications without notice.

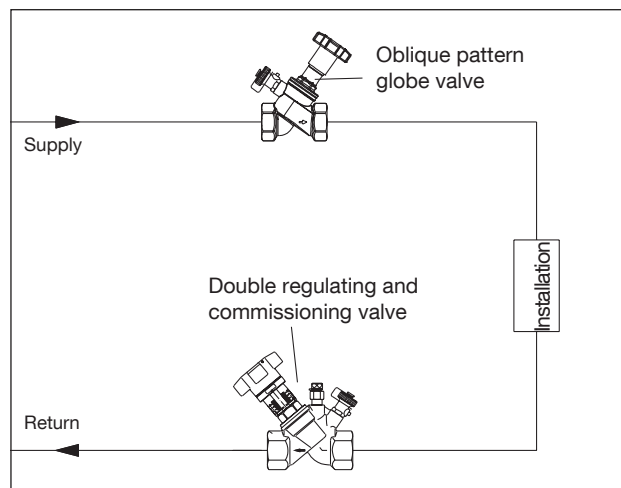
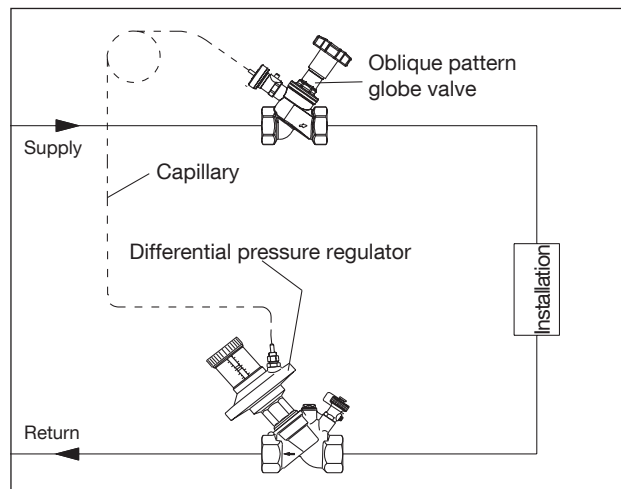
Product range 5
ti 226-EN/10/MW
Edition 2018



D	d	t	SW*	L	H
Rp 3/8 EN 10226	50	10.1	22	63.5	92
Rp 1/2 EN 10226	50	13.2	27	66	95
Rp 3/4 EN 10226	50	14.5	32	75	110
G 1	50	10.5	41	80	115
G 1 1/4	80	12.5	50	97	165
G 1 1/2	80	14.5	55	107	170
G 2	80	16.5	68	124	175

Dimensions

*SW = Spanner size



System illustrations