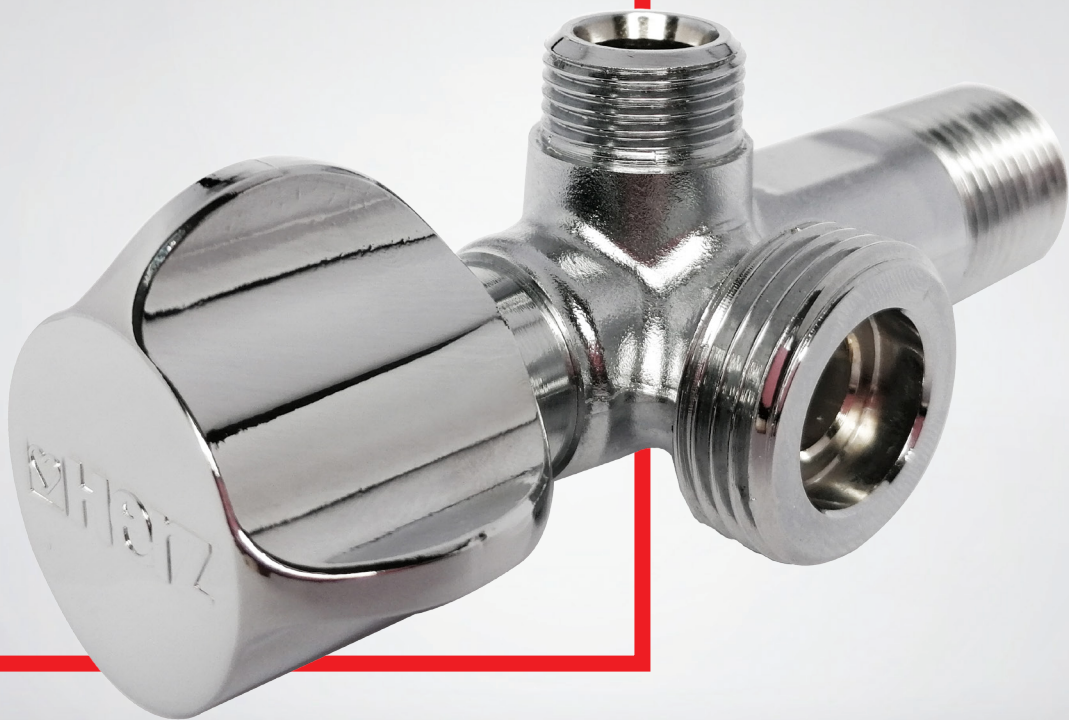


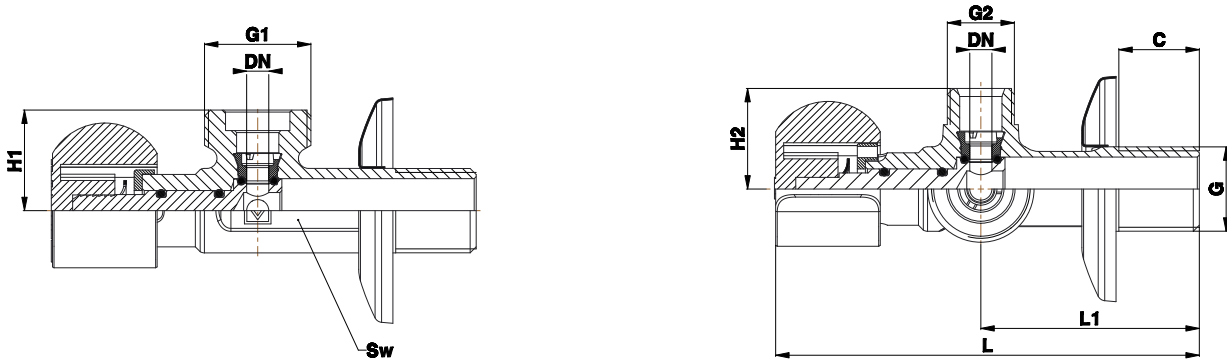
HERZ DOUBLE ANGLE VALVE

FOR POTABLE WATER



NEW

Dimensions



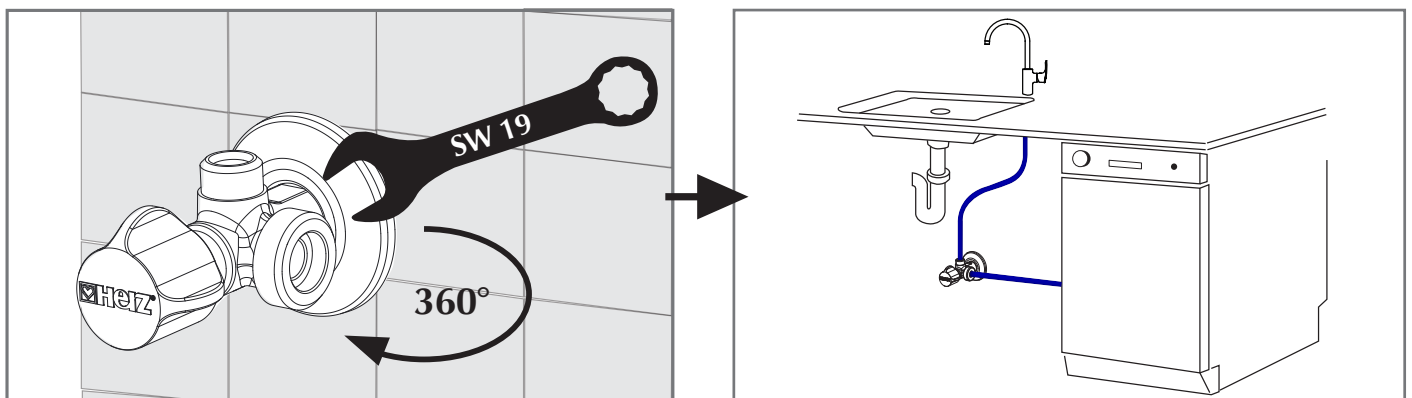
Order Nr.	DN	PN [bar]	G [in]	G1 [in]	G2 [in]	C [mm]	L [mm]	L1 [mm]	H1 [mm]	Sw [mm]	Weight [kg]
UH13111	6	16	1/2	3/4	3/8	20	105,3	54,3	25	19	0,2

T max = 90°C

Field of application

The Herz double angle valve is most suitable for application in water installations. It is used where we need to connect faucet and dishwasher/washing machine with only one water supply. It is usually used in cold water supplies. Usage of HERZ double angle valve allows servicing of the faucet or dishwasher while the other outlet is still open.

For example: In case of malfunctioning dishwasher it can be serviced with closed outlet G3/4". In this case the faucet can be normally used. Rotate the handle as shown in photo 4 at the bottom of the page (closed outlet G3/4" and opened outlet G3/8"). It has to be used as shut off element. The double angle valve should not be used as regulating element, so the handle should not be in an intermediate position.



Function principle

The double angle valve can be set in four different positions:

1. Both outlets are open
2. Both outlets are closed
3. Outlet (3/4") opened/ Outlet (3/8") closed
4. Outlet (3/4") closed / Outlet (3/8") opened

Positions are set by rotating the handle for 90° all around. Positions are identified by bulges on the handle. Handle can be rotated for 360°.

