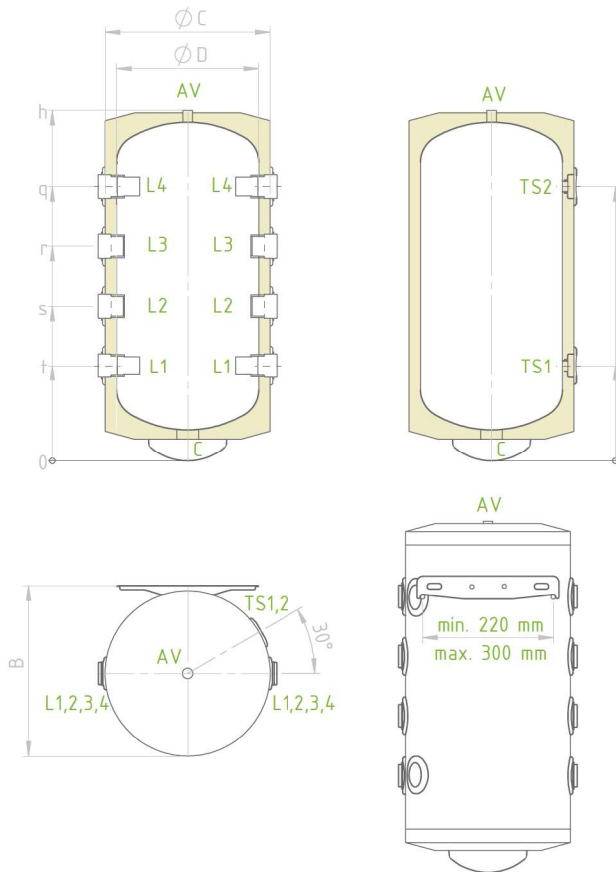
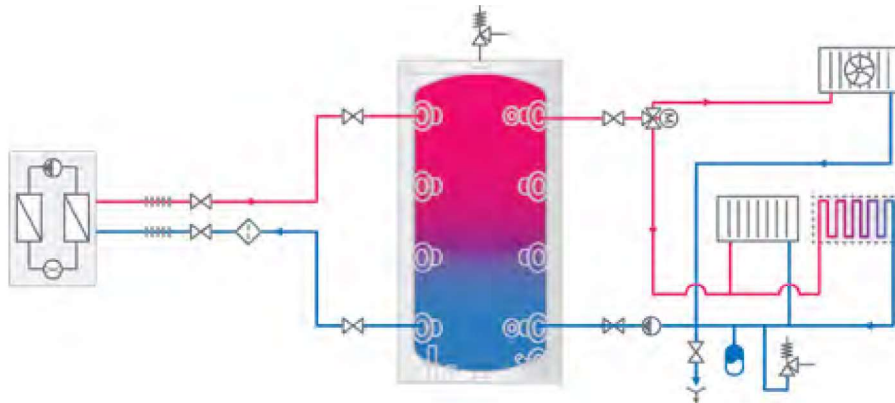




MODEL		VB 8047 A02 P2
Art.number	Nº	306081
Capacity	L	82
Net weight	kg	20
Insulation	mm	32
Maximum operational temperature	°C	95
Rated pressure	bar	6

INSTALLATION AND CONNECTION SCHEME



MODEL		VB 8047 A02 P2
TS1	thermo sensor pocket level 1	G ½"
TS2	thermo sensor pocket level 2	G ½"
AV	opening for air ventilation	G ½"
C	connection	G 1 ½"
L1	level 1	G 1 ½"
L2	level 2	G 1 ½"
L3	level 3	G 1 ½"
L4	level 4	G 1 ½"

Thread designations according to EN ISO 228-1!

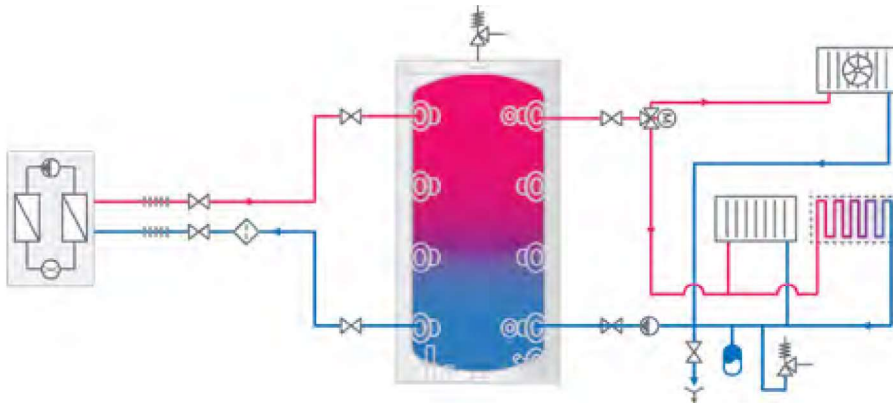
Dimensions ±5 mm		VB 8047 A02 P2
h	mm	840
q	mm	620
r	mm	500
s	mm	380
t	mm	260
ØC	mm	470
ØD	mm	404
B	mm	496

Small capacity buffer tanks for heat pump systems |
100 L

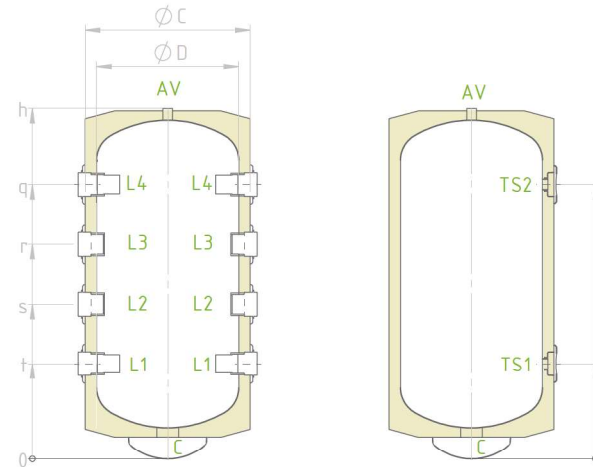


MODEL		VB 10047 A02 P2
Art.number	Nº	306081
Capacity	L	100
Net weight	kg	23
Insulation	mm	32
Maximum operational temperature	°C	95
Rated pressure	bar	6

INSTALLATION AND CONNECTION SCHEME



Small capacity buffer tanks for heat pump systems |
100 L



MODEL		VB 10047 A02 P2
TS1	thermo sensor pocket level 1	G ½"
TS2	thermo sensor pocket level 2	G ½"
AV	opening for air ventilation	G ½"
C	connection	G 1 ½"
L1	level 1	G 1 ½"
L2	level 2	G 1 ½"
L3	level 3	G 1 ½"
L4	level 4	G 1 ½"

Thread designations according to EN ISO 228-1!

Dimensions ±5 mm		VB 10047 A02 P2
h	mm	980
q	mm	765
r	mm	595
s	mm	425
t	mm	255
ØC	mm	470
ØD	mm	404
B	mm	496

