

Technical Data

KLUDI BOZZ

Concealed single lever bath- and shower mixer
PN 10

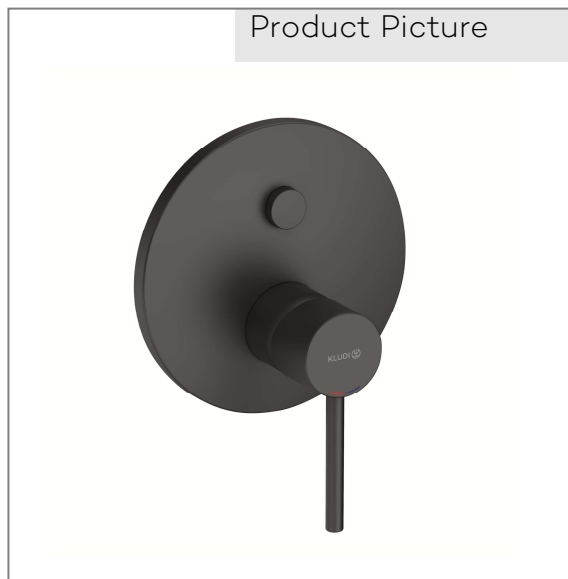
Article- Nr.:
386593976

Surface:
39 black matt finished

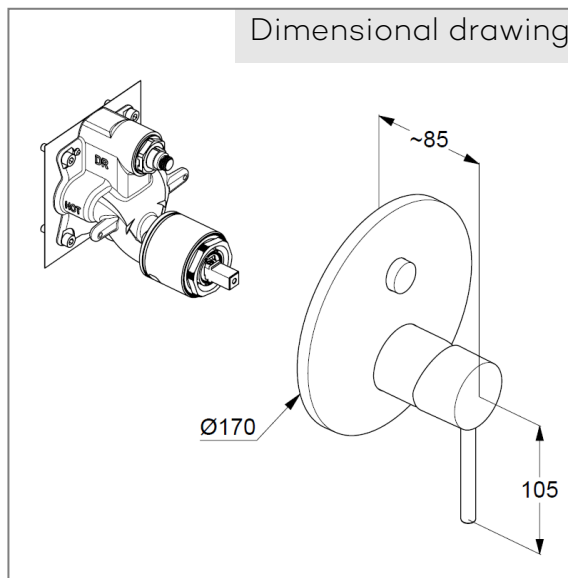
manufacturer KLUDI GmbH & Co. KG
Typ: KLUDI BOZZ
Concealed single lever bath- and shower mixer,
PN 10
Art. Nr. 386593976

concealed bath-shower mixer
single lever mixer
trim set without pre-installation set
pre installation set KLUDI FLEXX.BOXX Art. Nr. 88011
trim set with functional unit
wall mounted
PUSH&SWITCH diverter
automatic diverter: shower/ bath
solid lever, metal
ceramic cartridge with hotwater safety device
flow rate at 3 bar 29 l/ min.

Product Picture



Dimensional drawing



Flow rate diagram

