



MAGNA3

Further product
documentation



net.grundfos.com/qr/i/98091805



MAGNA3



MAGNA3 D





MAGNA3 F



MAGNA3 D F





Min./Max.
-10 °C – +110 °C



PN 6:6 bar / 0.6 MPa
PN 10:10 bar / 1.0 MPa
PN 16:16 bar / 1.6 MPa



Min./Max.
0 °C – +40 °C

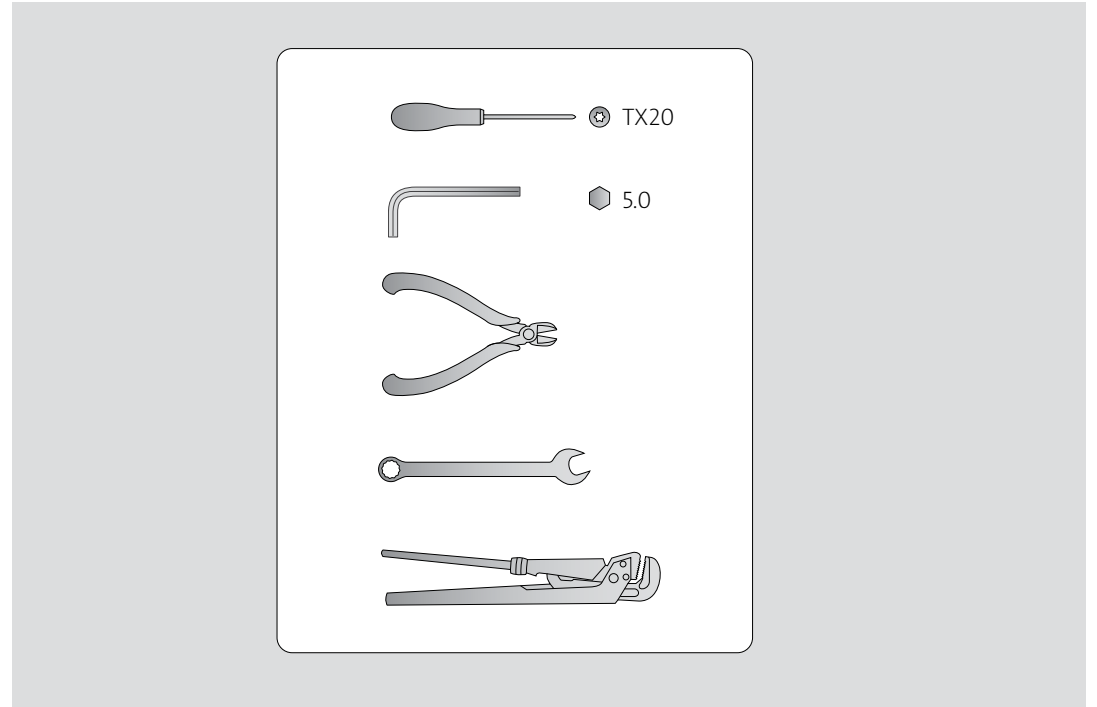
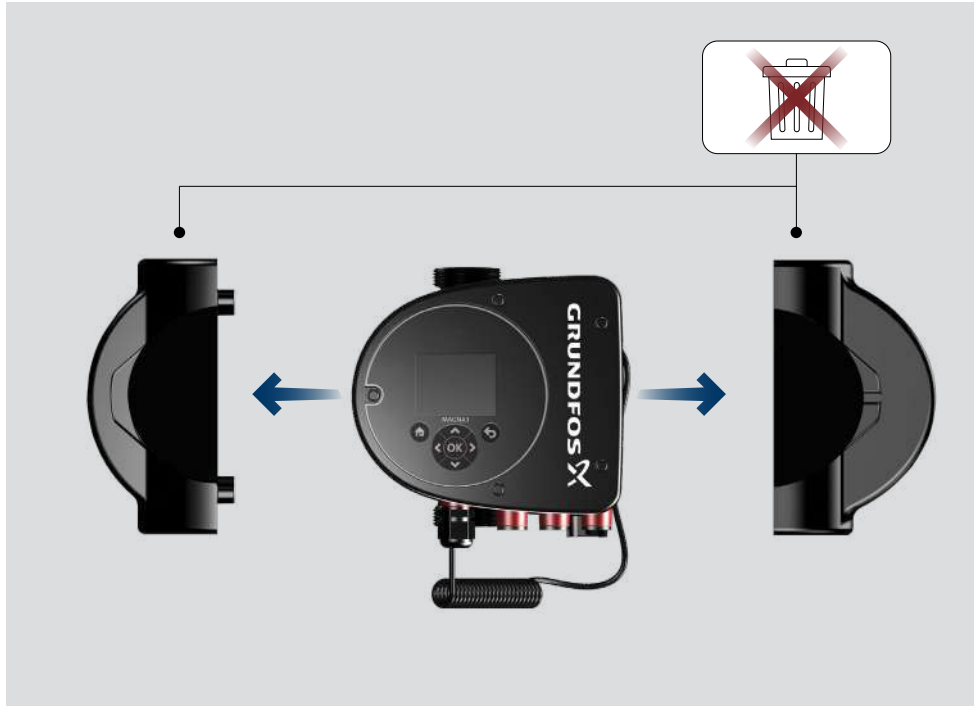


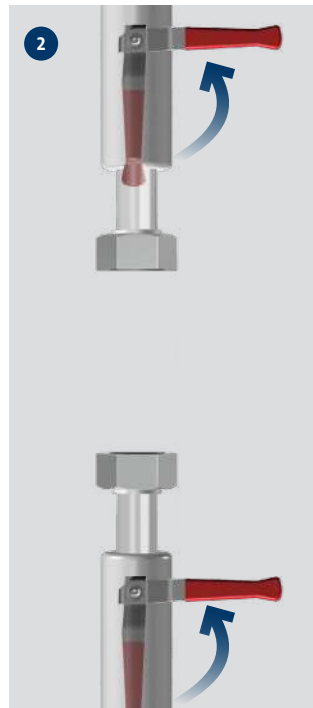
< 39 dB(A)

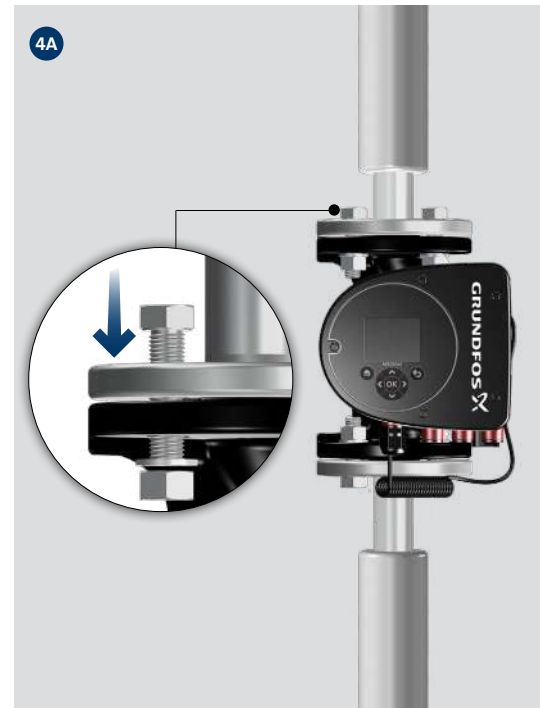
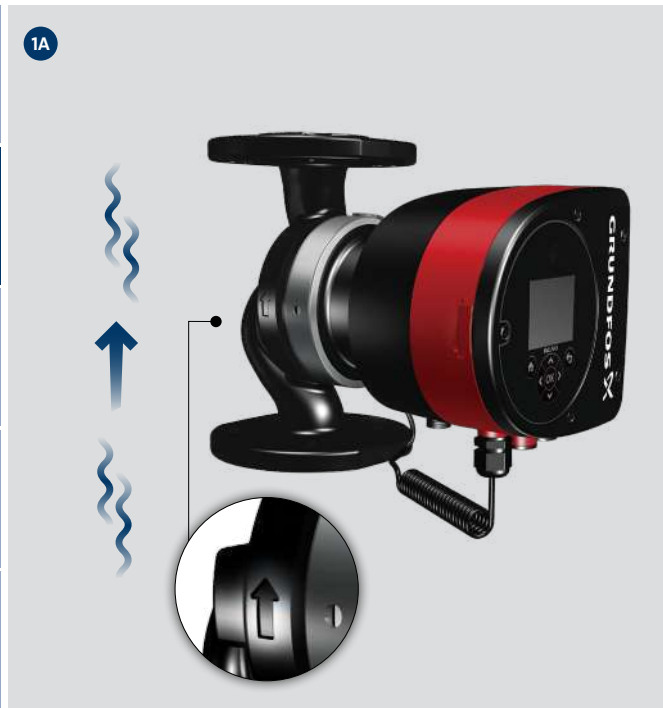


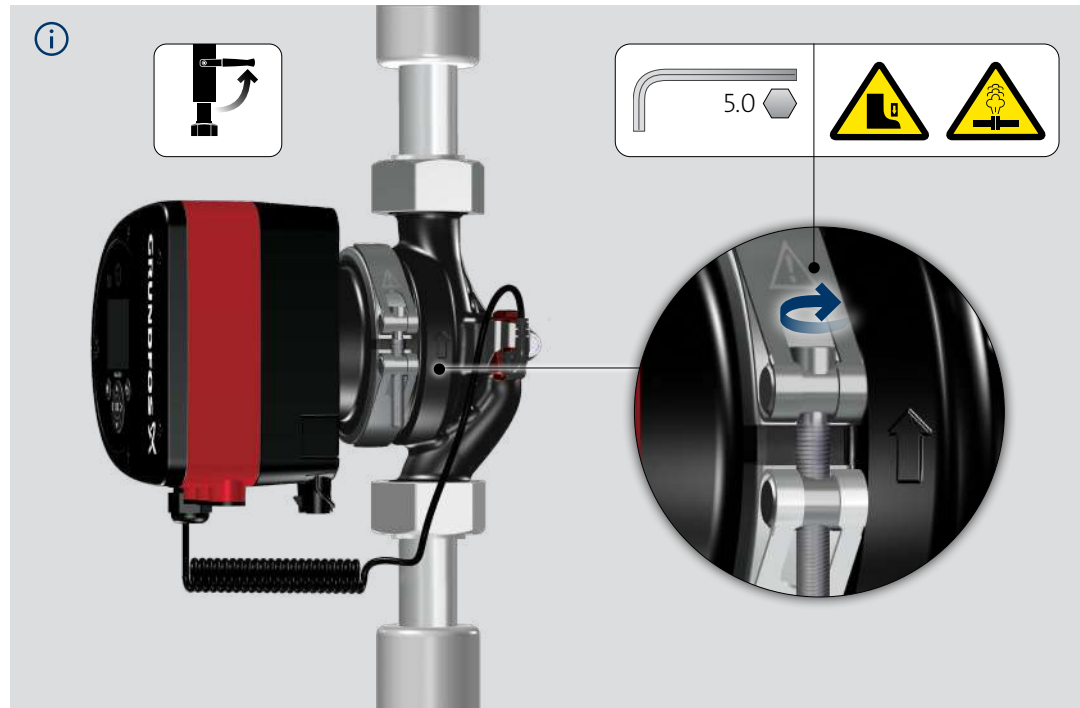
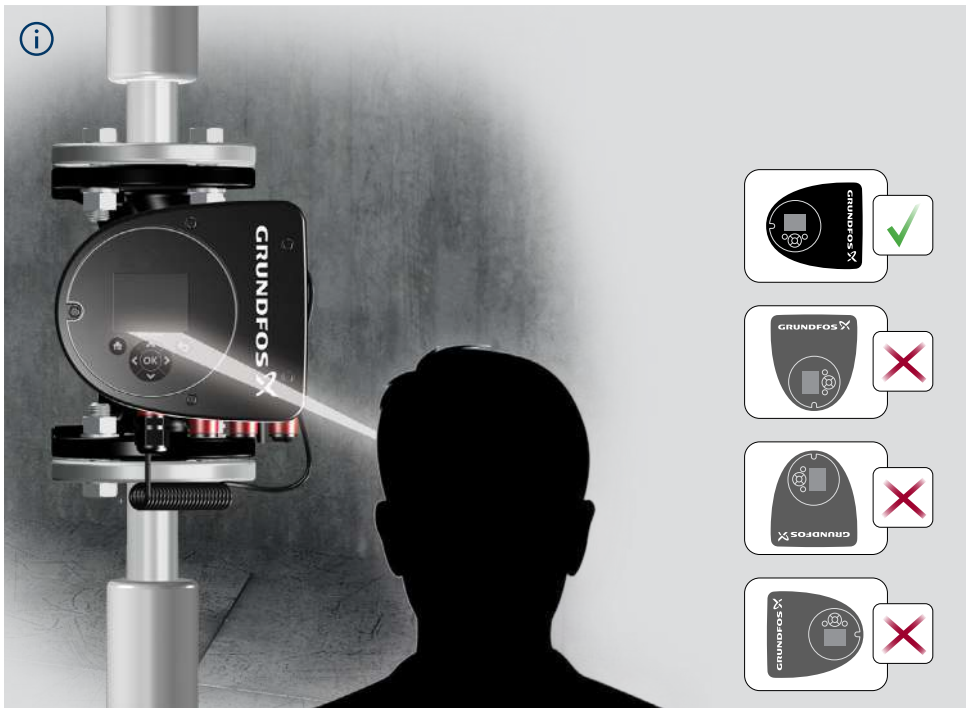
Max. 95 % RH
IPX4D

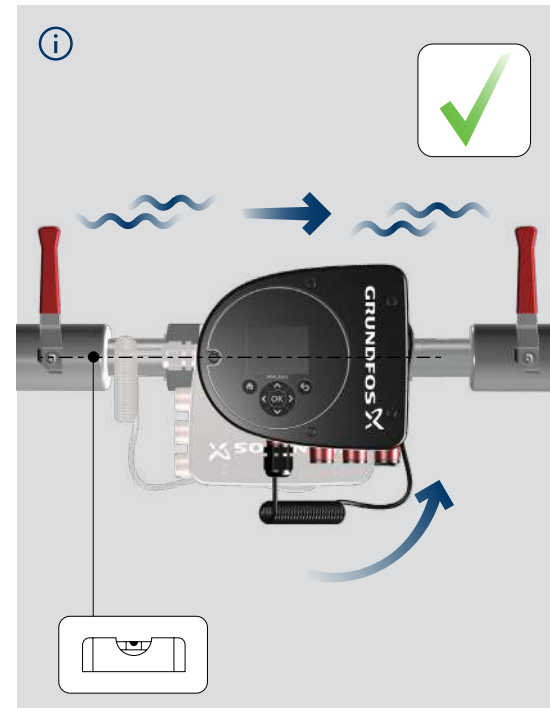
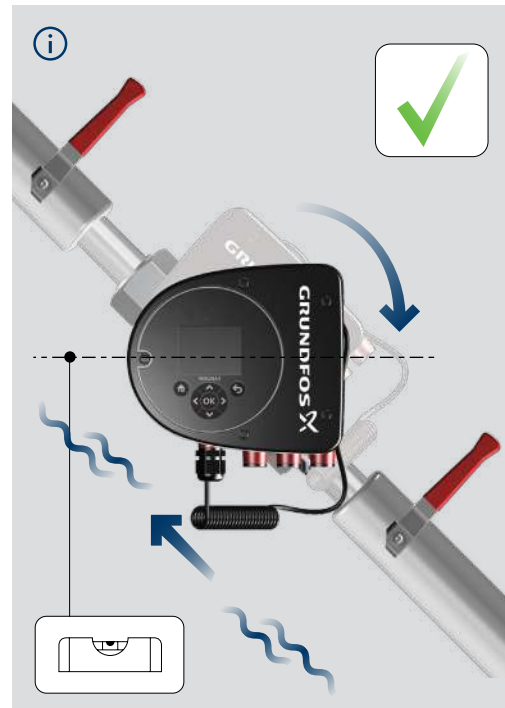
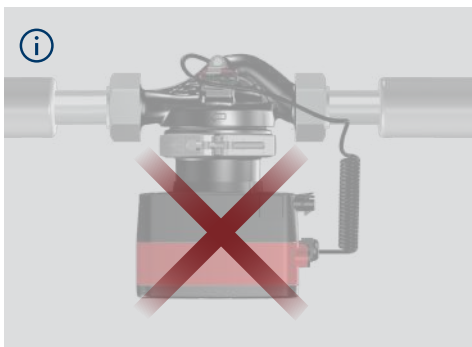
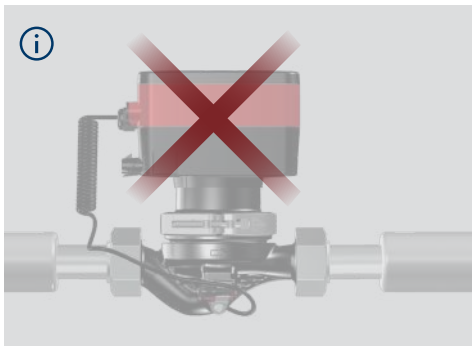


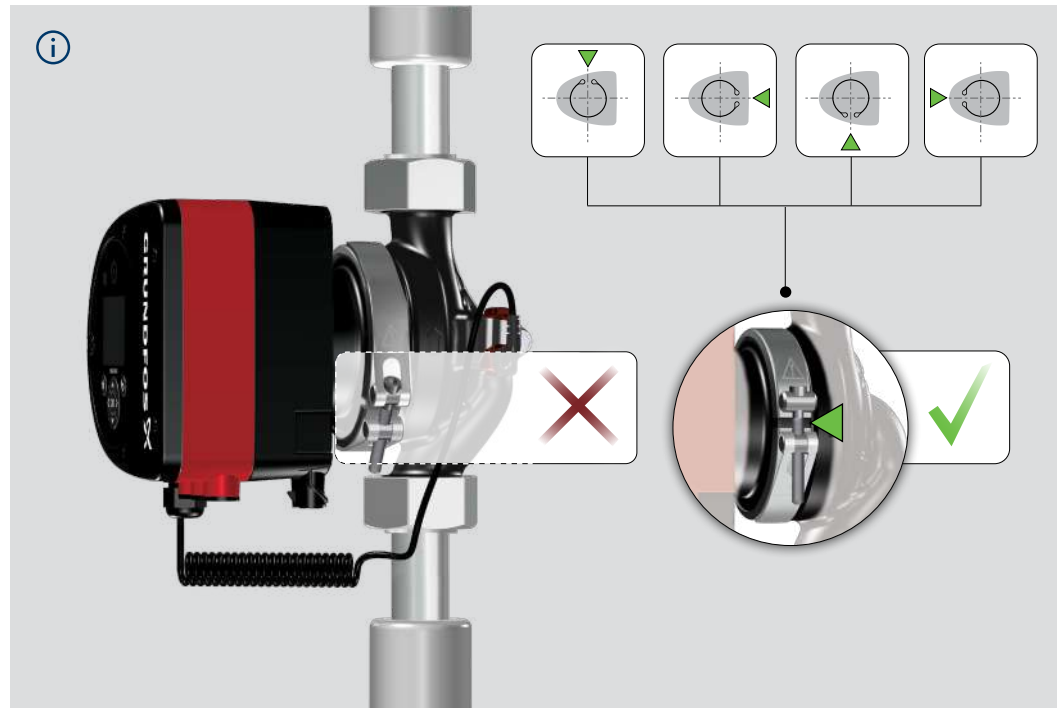
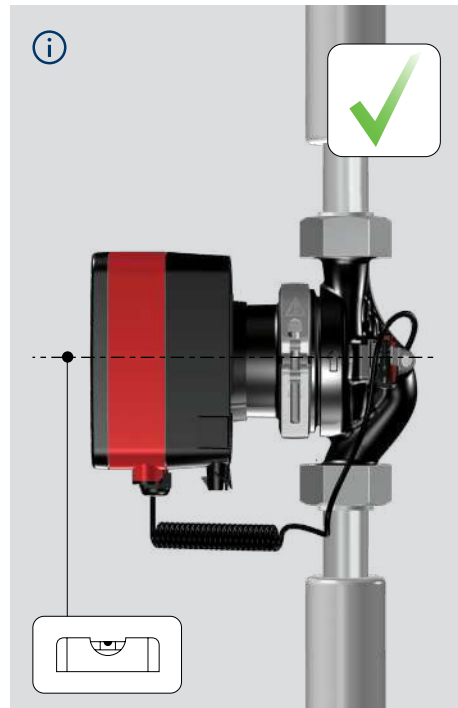
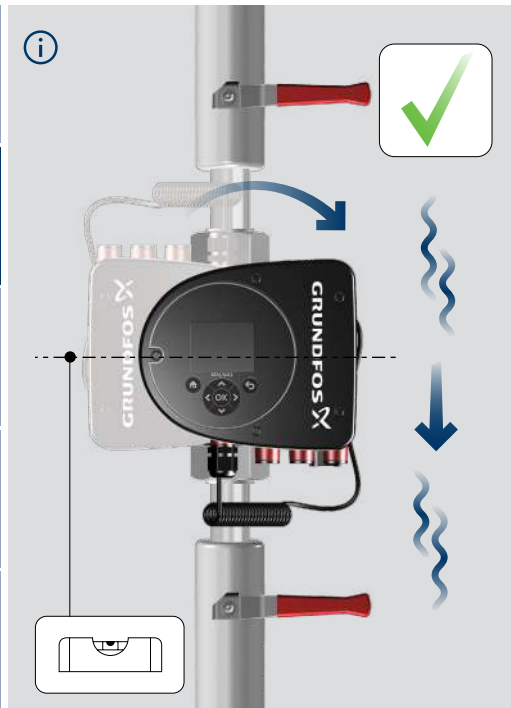


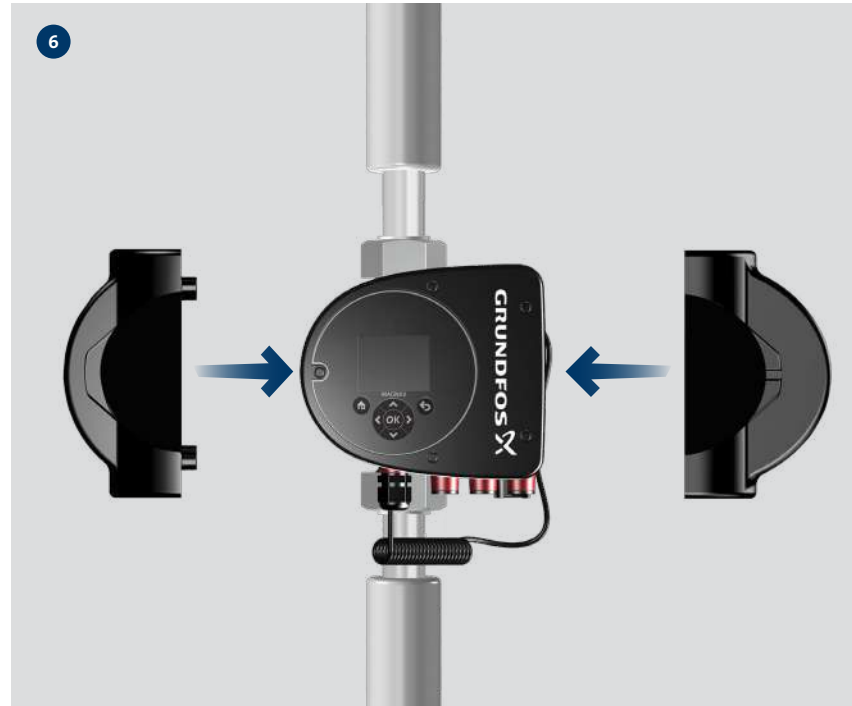
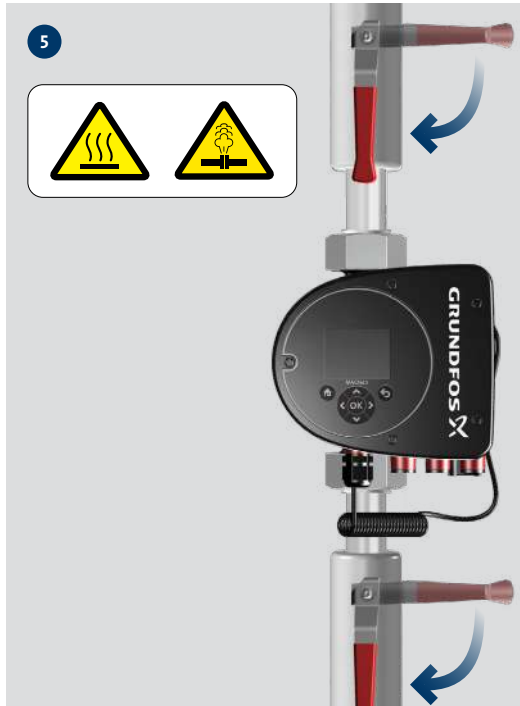
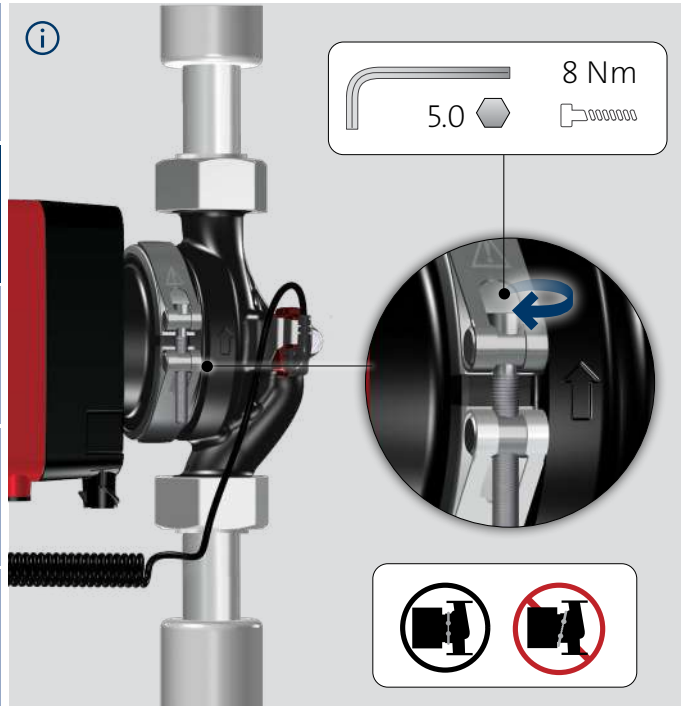


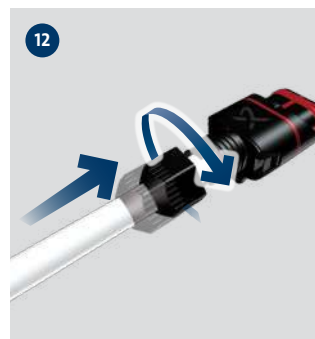
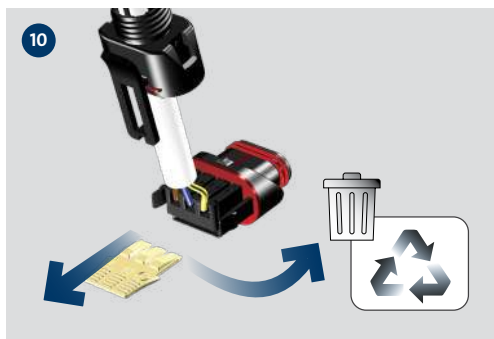
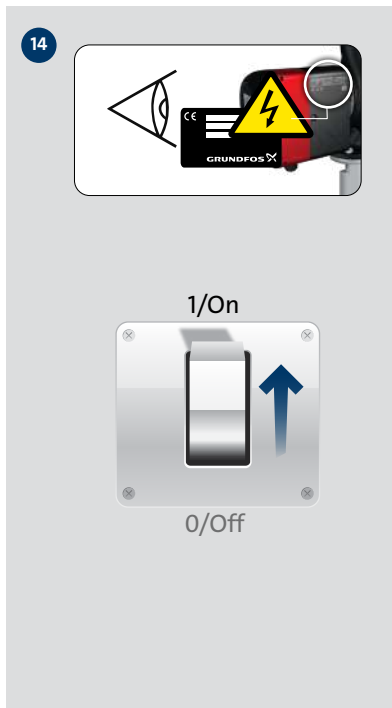
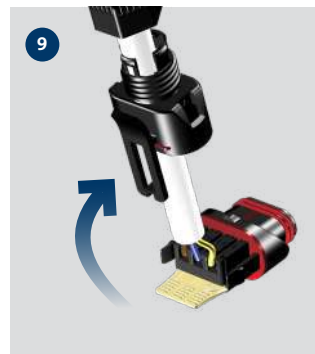
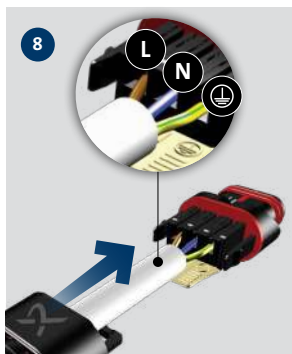
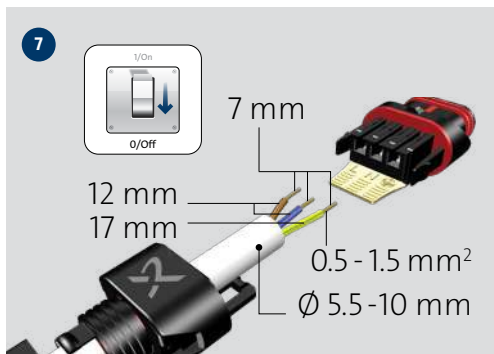


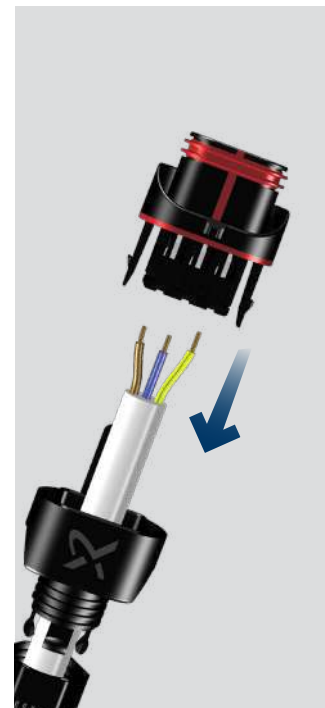
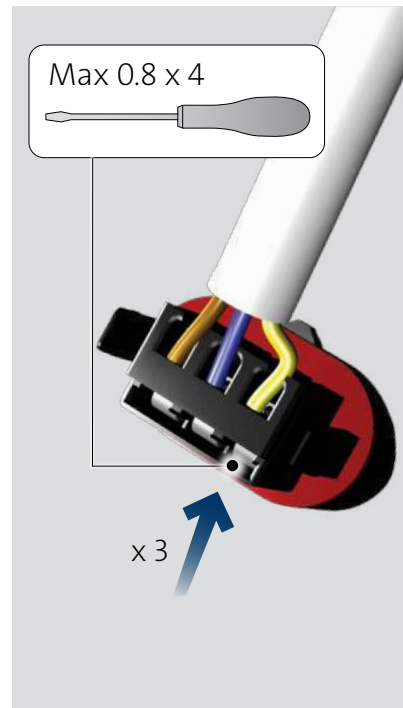
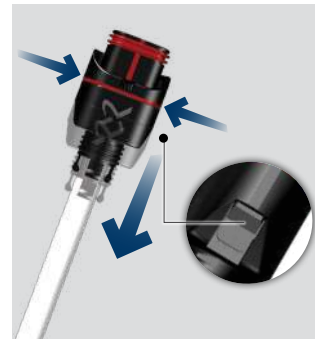
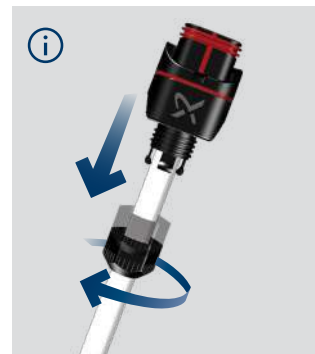
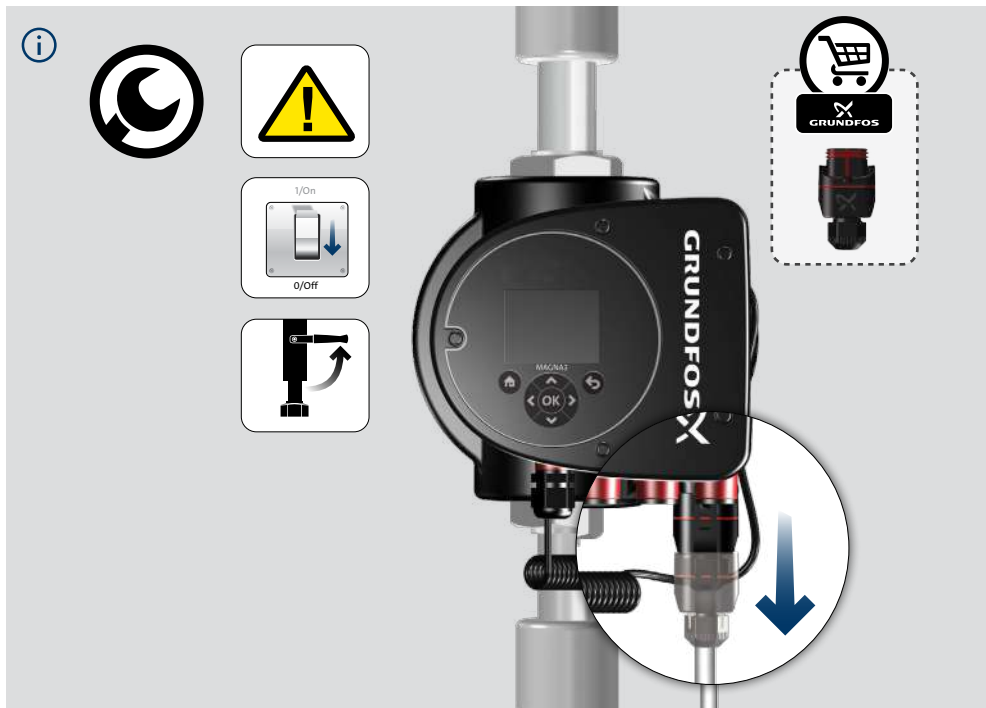


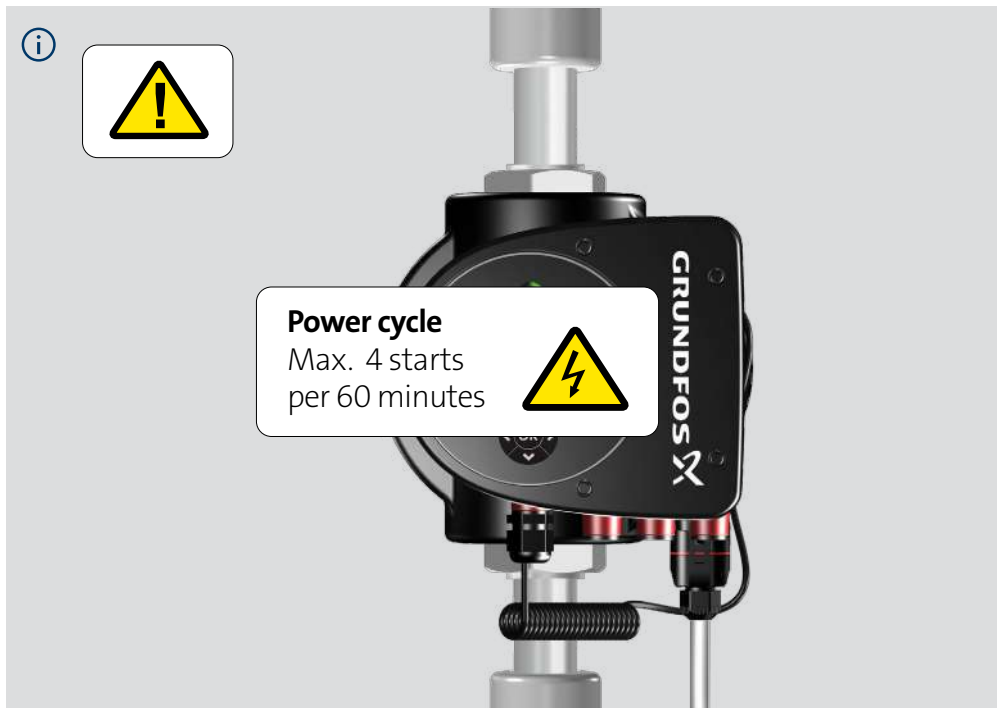




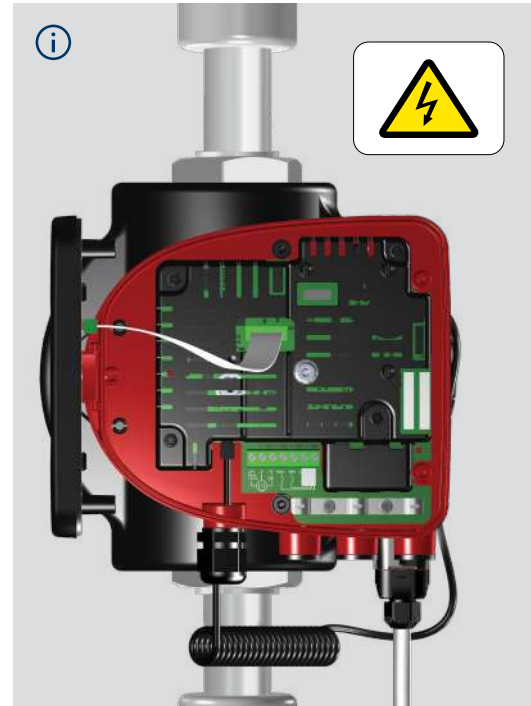
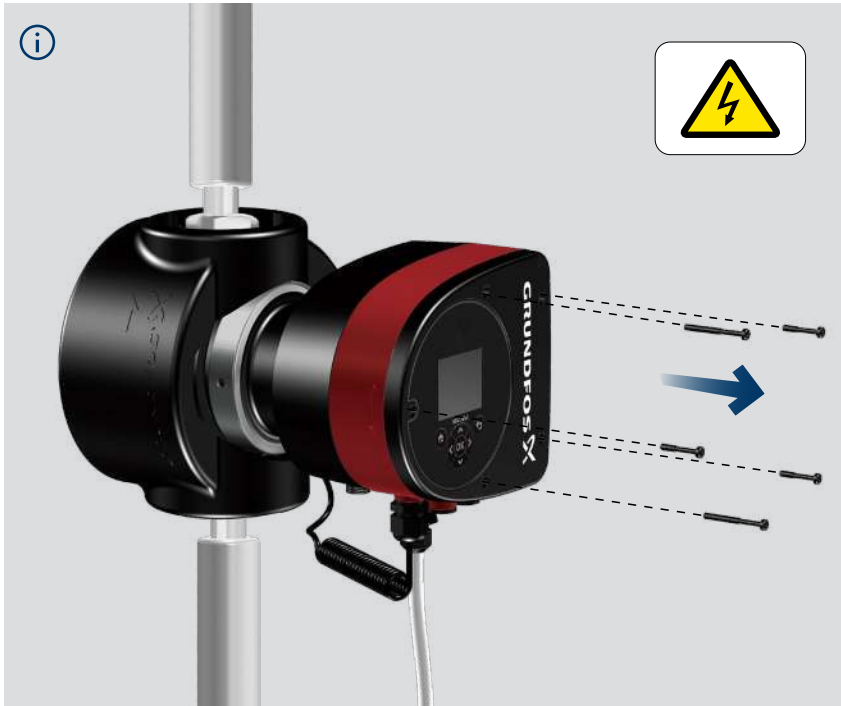


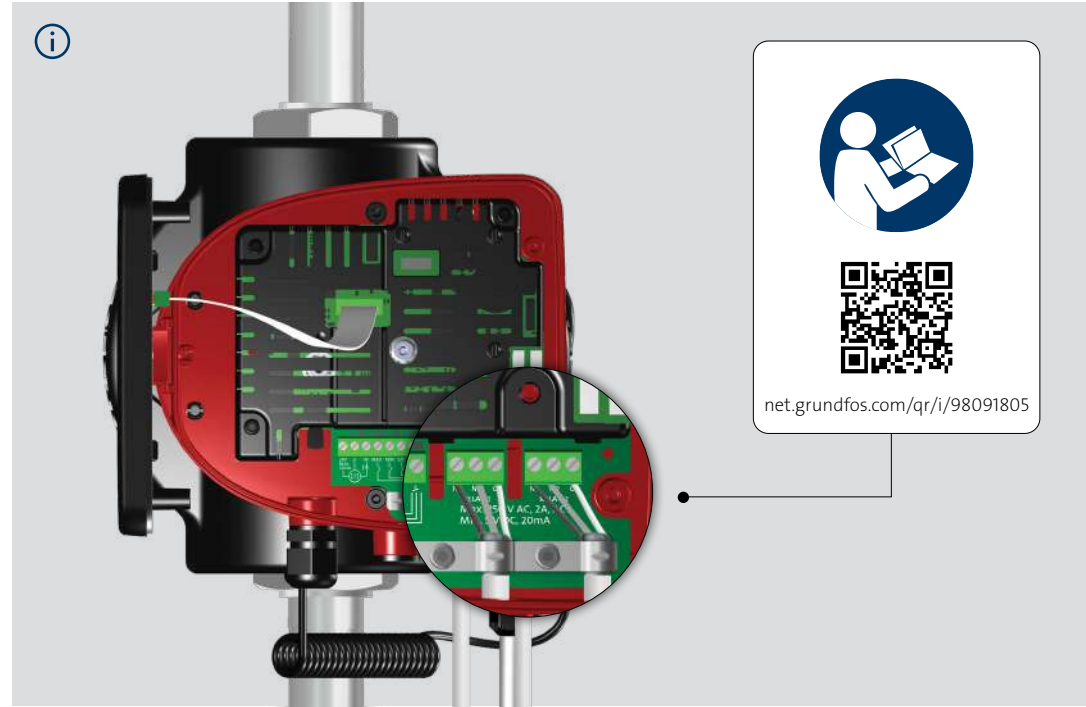
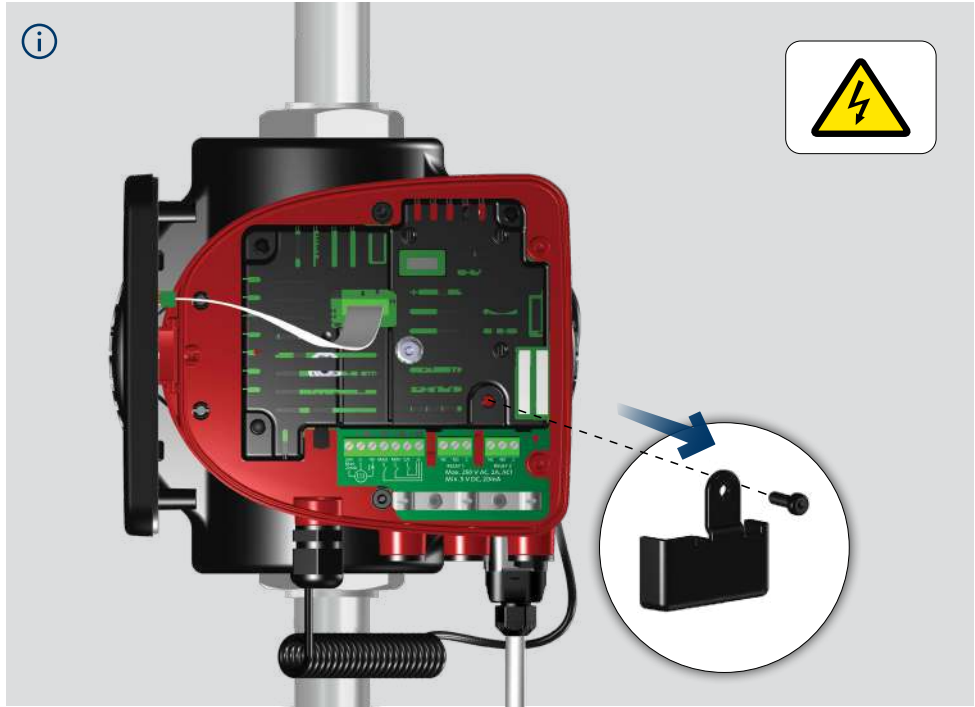


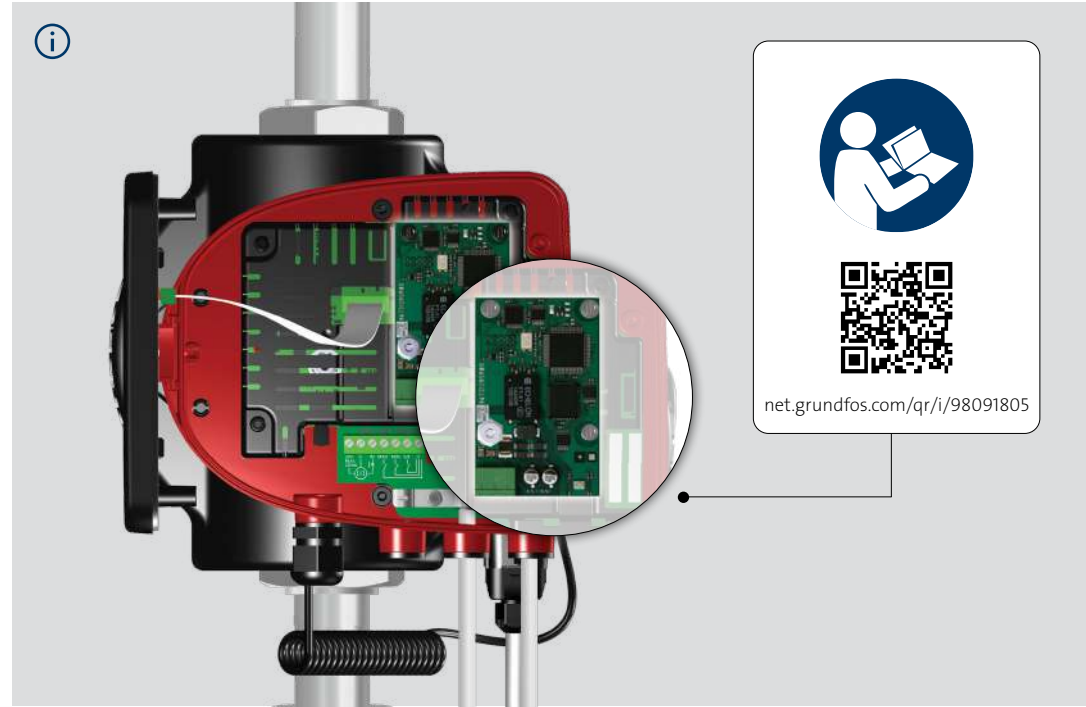
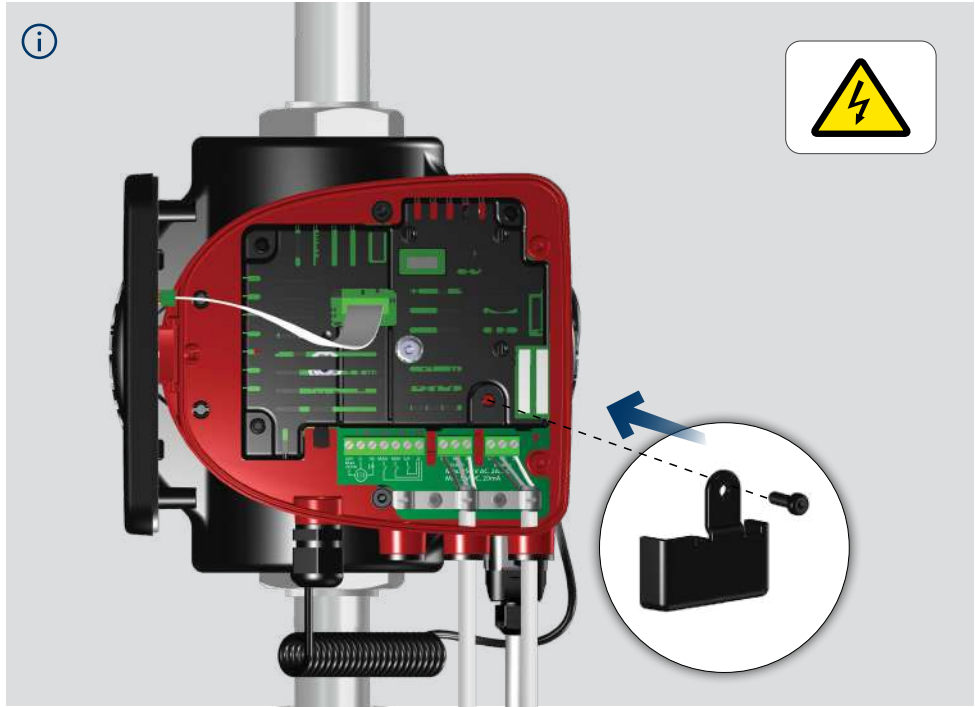


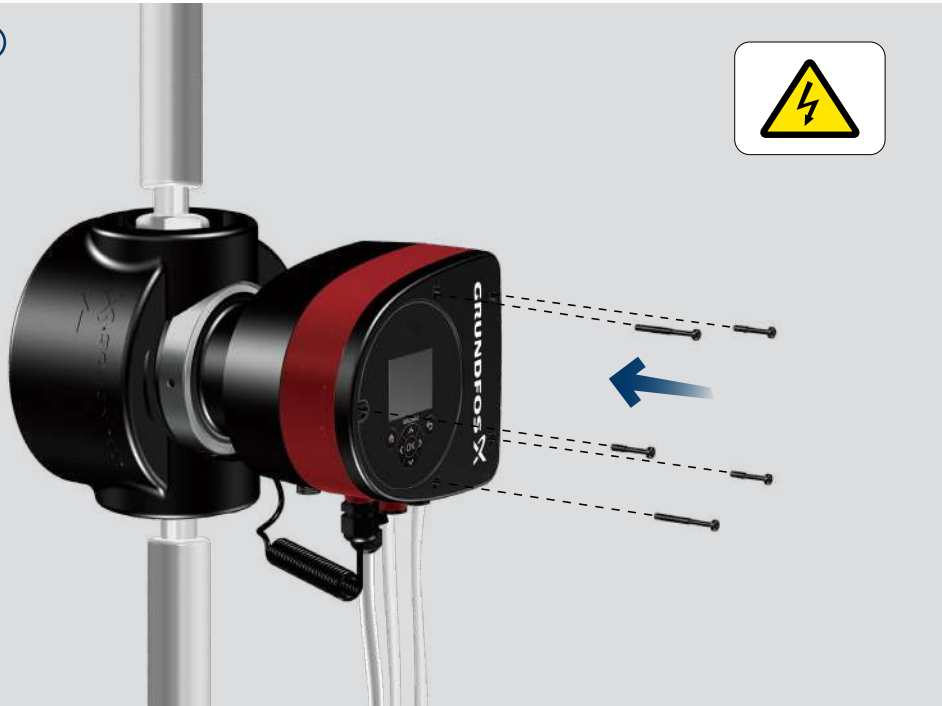


net.grundfos.com/qr/i/98091805







A series of ten horizontal lines on a light gray background, intended for the user to write down notes or observations.

Installation date: _____

Installer:

98474143 08.2020

ECM: 1290594