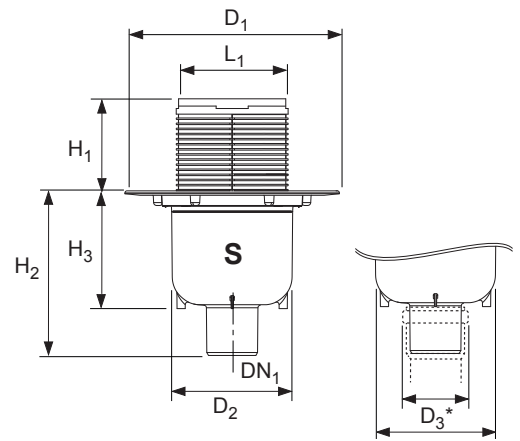
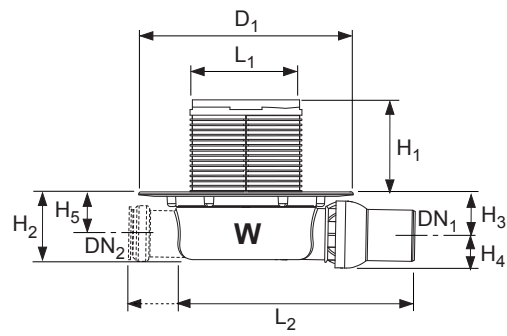
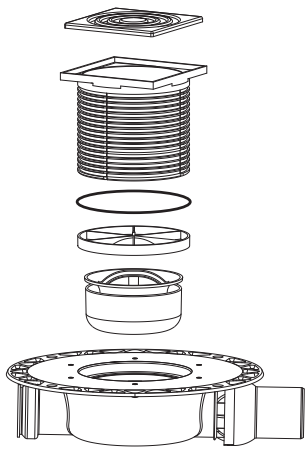
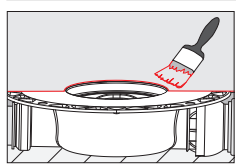


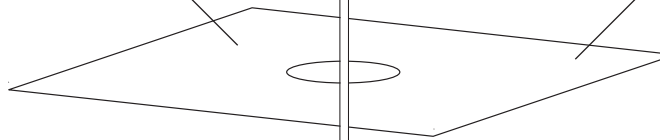
TECEdrainpoint S



* Kernbohrung / core drilling

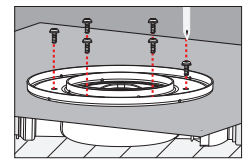
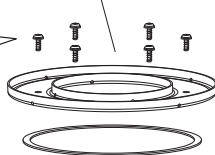


369 00 04 (PP/PE)



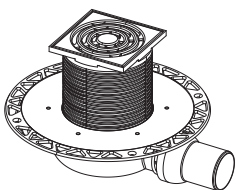
369 00 06 (EPDM)

+ 369 00 03

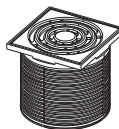


| Art.-Nr. | Typ | DN ₁ | DN ₂ | D ₁ | D ₂ | D ₃ | L ₁ □ | L ₂ | H ₁ | H ₂ | H ₃ | H ₄ | H ₅ | SWH** |
|-----------|-----|-----------------|-----------------|----------------|----------------|----------------|------------------|----------------|----------------|----------------|----------------|----------------|----------------|-------|
| 360 11 00 | w | 50 | 40 | 252 | -- | -- | 105 x 105 | 280 | 8-92 | 66 | 42 | 32 | 40 | 30 |
| 360 11 02 | w | 50 | 40 | 252 | -- | -- | 105 x 105 | 280 | 7-89 | 66 | 42 | 32 | 40 | 30 |
| 360 14 00 | w | 50 | 40 | 252 | -- | -- | -- | 280 | -- | 66 | 42 | 32 | 40 | 30 |
| 360 14 01 | w | 50 | -- | 252 | -- | -- | -- | 184 | -- | 66 | 41 | 25 | -- | -- |
| 360 12 00 | w | 50 | 40 | 252 | -- | -- | 105 x 105 | 280 | 8-92 | 97 | 64 | 34 | 62 | 50 |
| 360 12 02 | w | 50 | 40 | 252 | -- | -- | 105 x 105 | 280 | 7-89 | 97 | 64 | 34 | 62 | 50 |
| 360 15 00 | w | 50 | 40 | 252 | -- | -- | -- | 280 | -- | 97 | 64 | 34 | 62 | 50 |
| 360 35 00 | w | 70 | 40 | 252 | -- | -- | -- | 238 | -- | -- | 80 | 55 | -- | 50 |
| 360 75 00 | w | 100 | 40 | 252 | -- | -- | -- | 223 | -- | -- | 62 | 38 | -- | 50 |
| 360 13 00 | s | 50 | -- | 252 | 119 | 120 | 105 x 105 | -- | 8-92 | 160 | 114 | -- | -- | 50 |
| 360 16 00 | s | 50 | -- | 252 | 119 | 120 | -- | -- | -- | 160 | 114 | -- | -- | 50 |
| 360 36 00 | s | 70 | -- | 252 | 119 | 122 | -- | -- | -- | 165 | 118 | -- | -- | 50 |
| 360 76 00 | s | 100 | -- | 252 | 119 | 132 | -- | -- | -- | 154 | 96 | -- | -- | 50 |

** Sperwasserhöhe / sealing water height



360 11 00
360 11 02
360 12 00
360 12 02
360 13 00



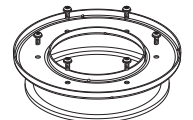
366 00 01
(...)
366 00 04
366 00 07
366 00 08



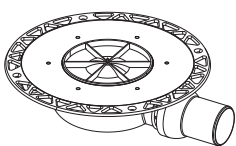
369 50 00
369 50 01
369 50 04



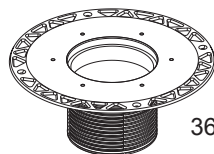
369 50 02
369 50 05
369 50 06



369 00 03



360 14 00
360 14 01
360 15 00
360 16 00
360 35 00
360 36 00
360 75 00
360 76 00



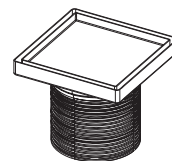
366 00 05



366 00 06



366 50 00
(...)
366 50 09

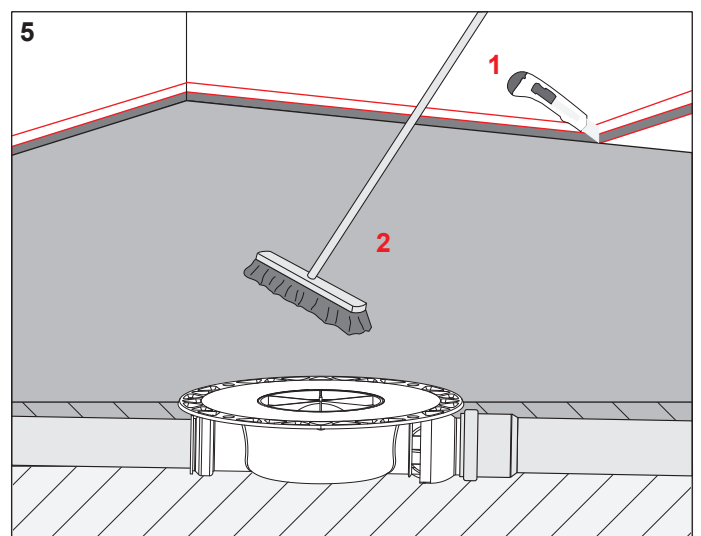
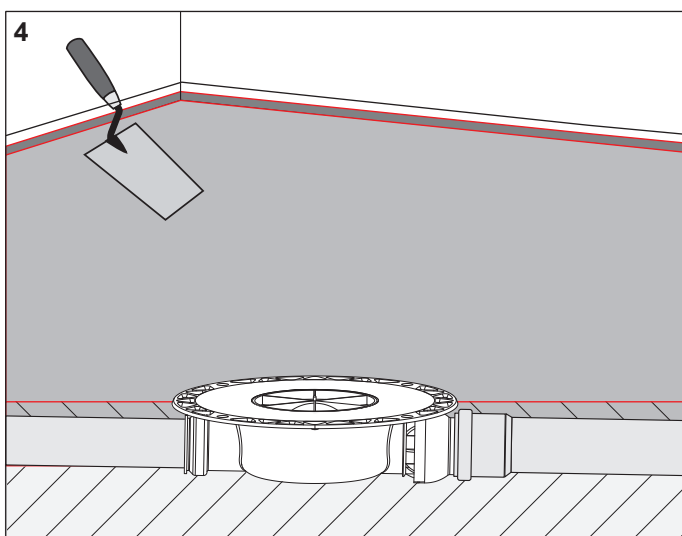
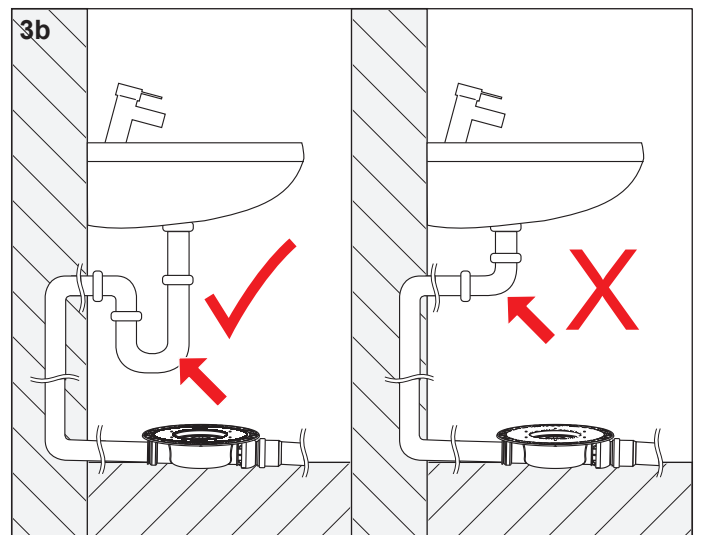
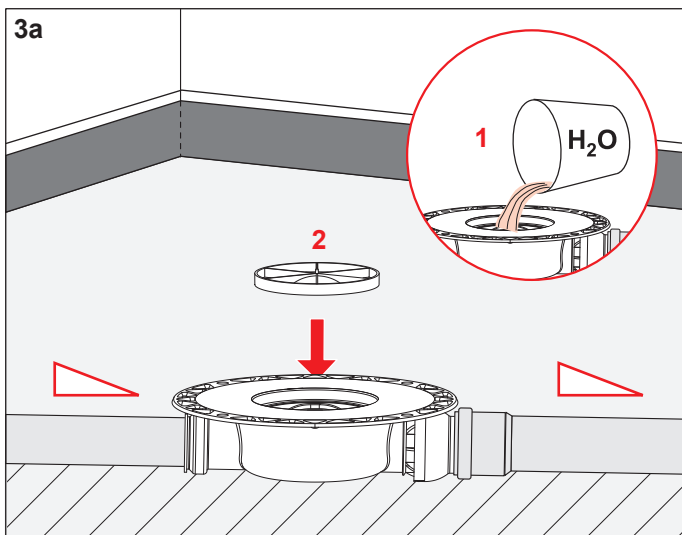
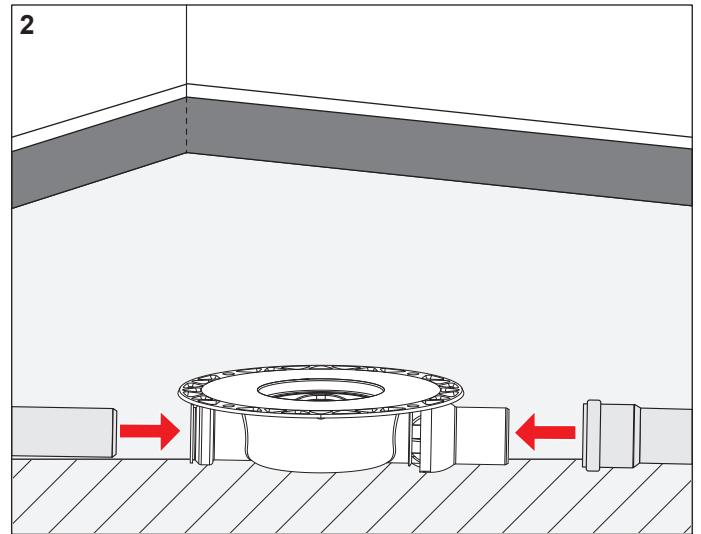
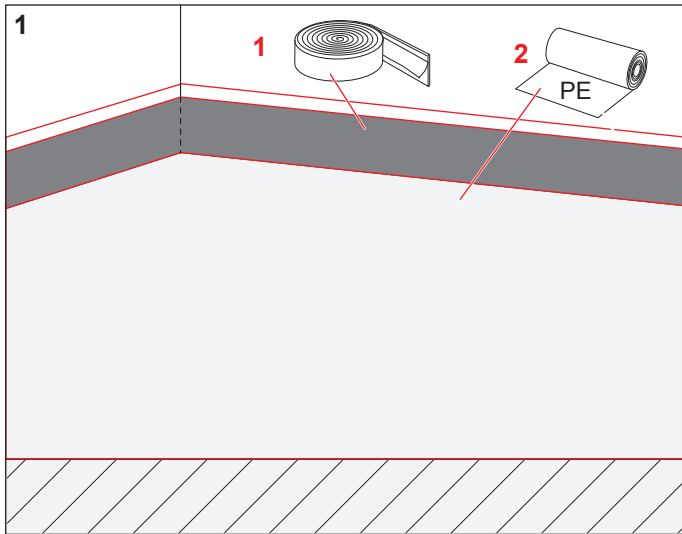
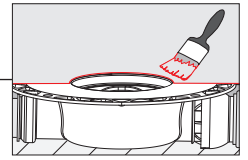


366 00 11

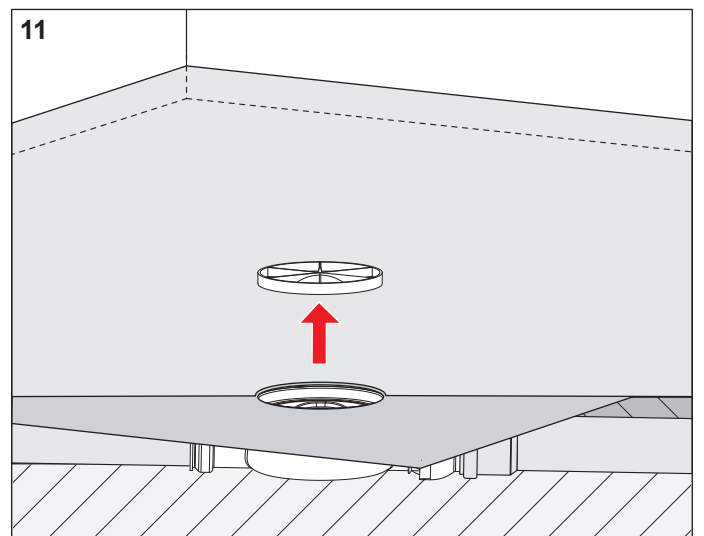
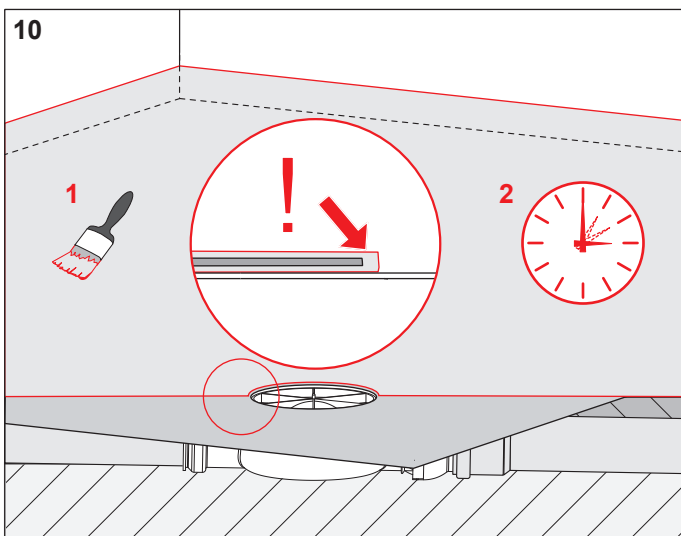
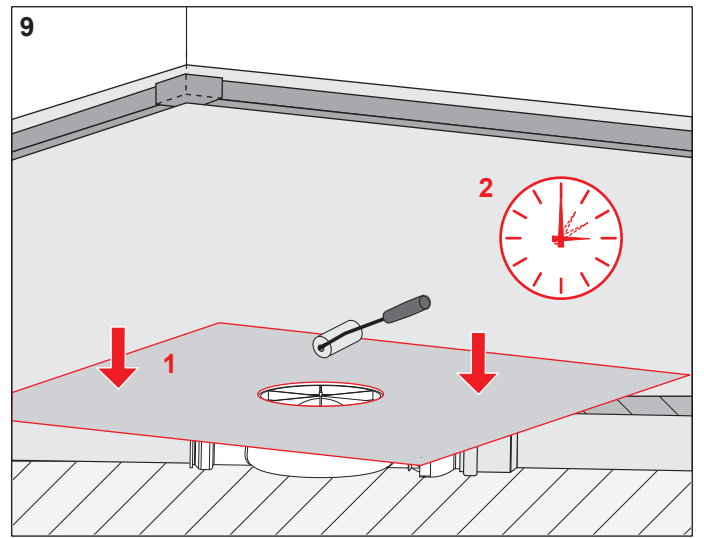
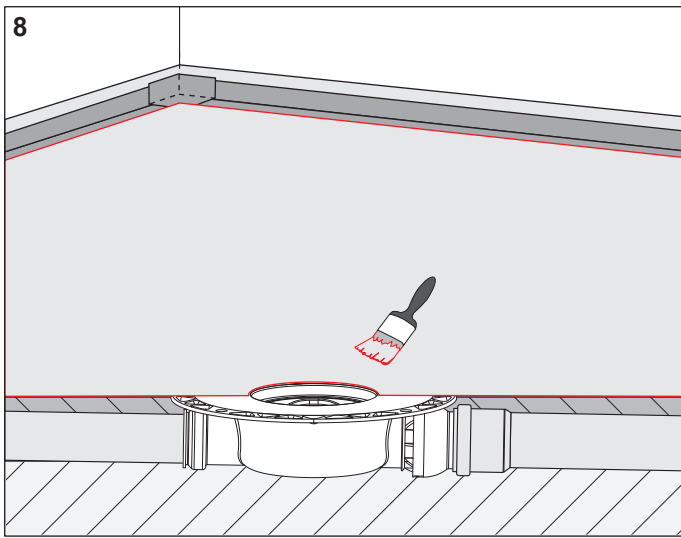
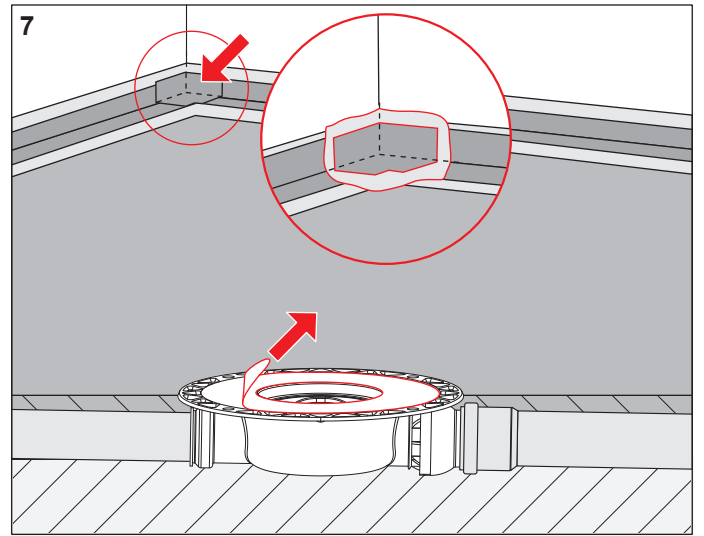
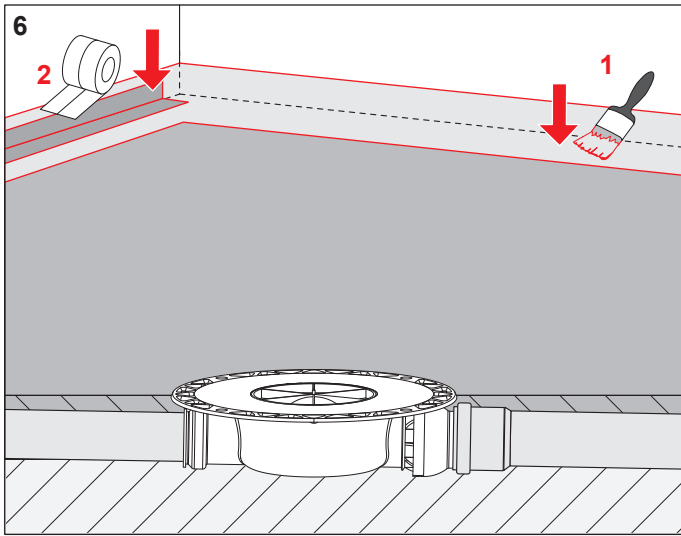
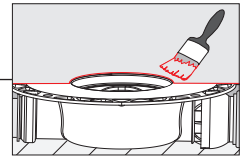


366 00 16

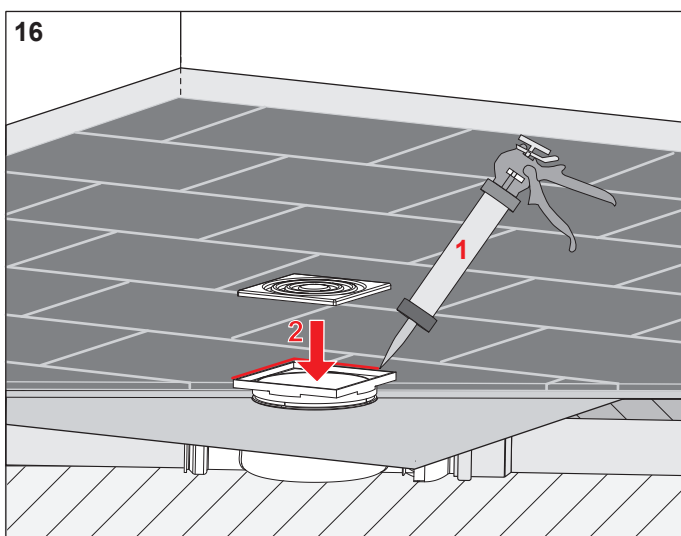
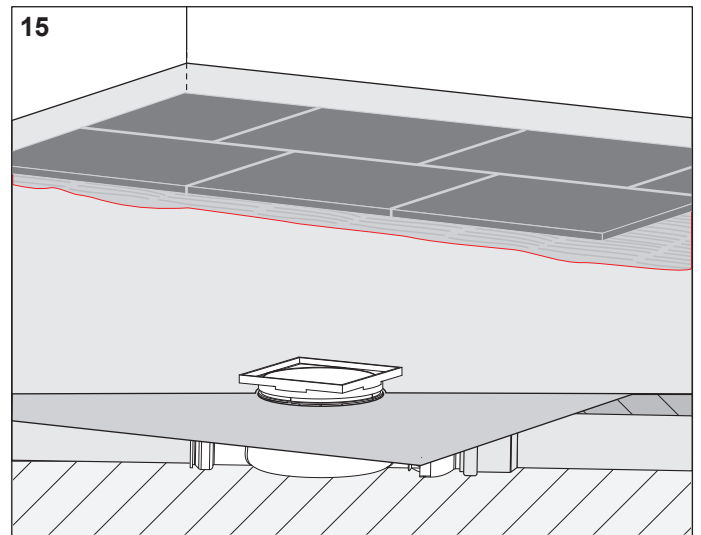
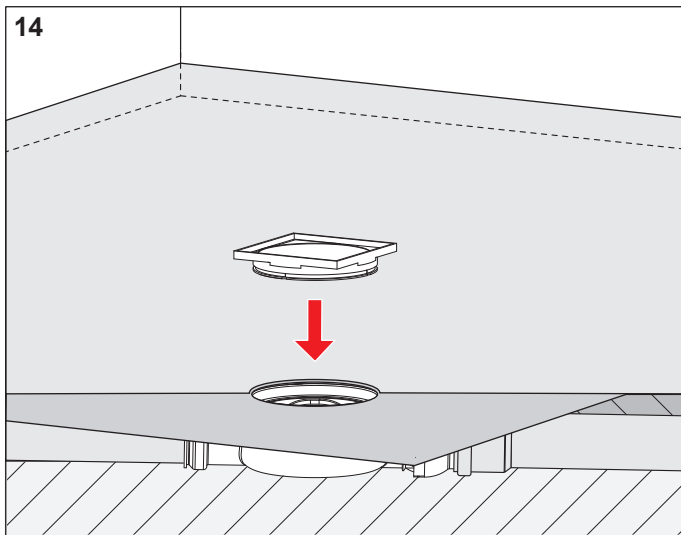
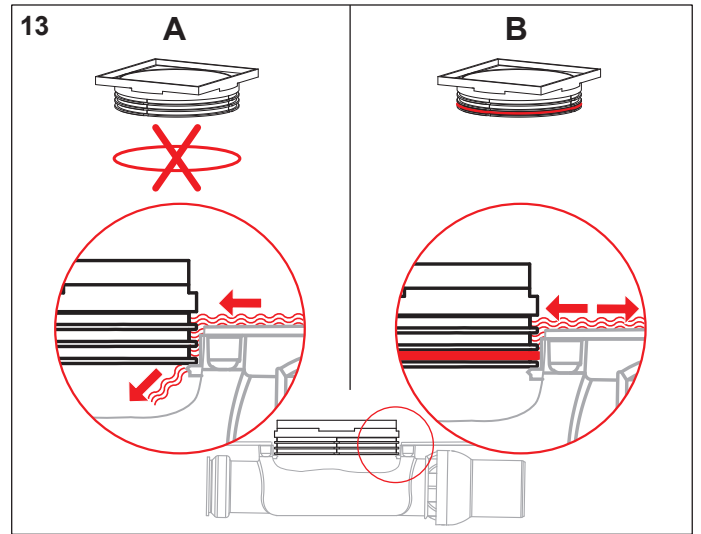
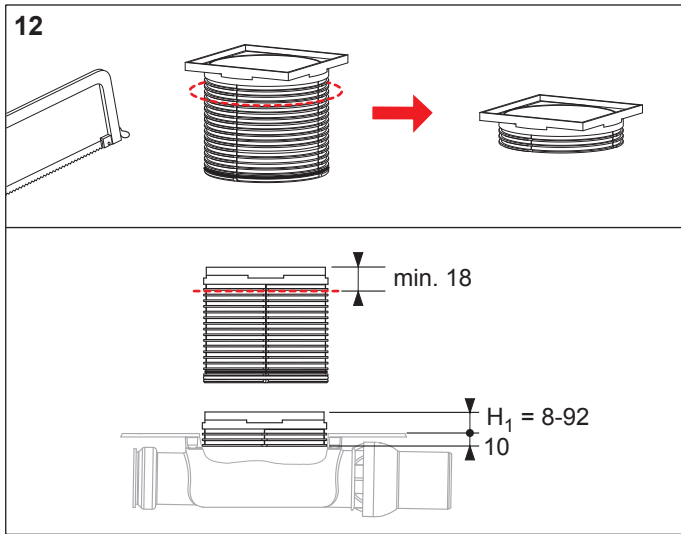
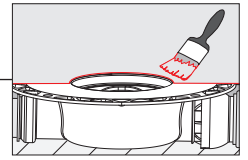
TECEdrainpoint S



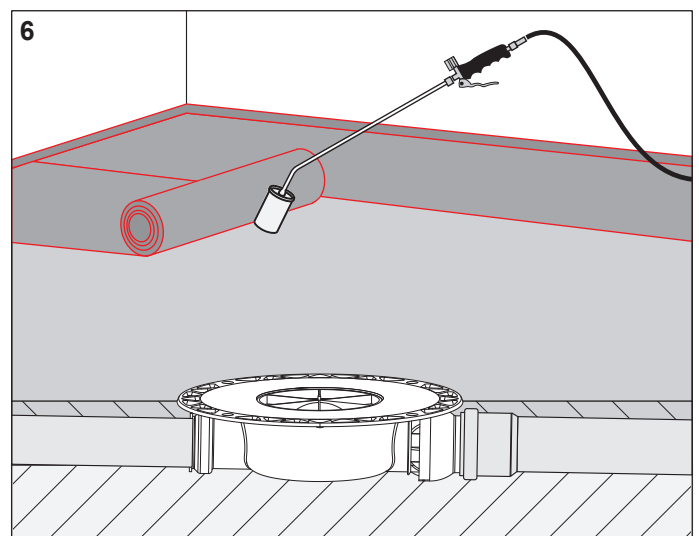
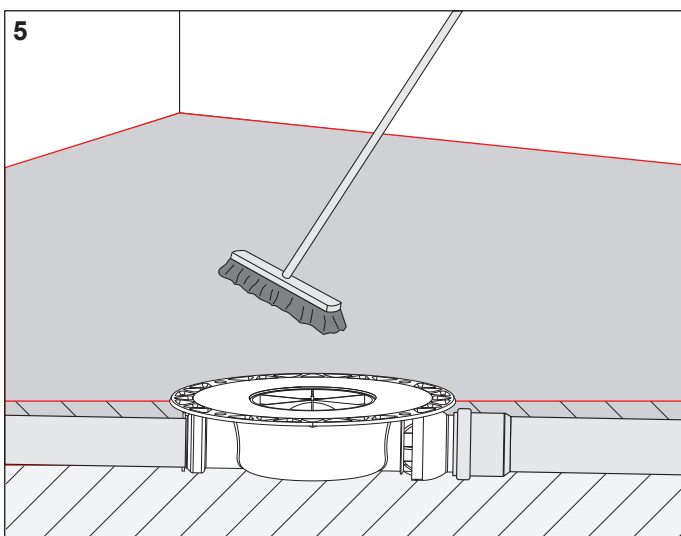
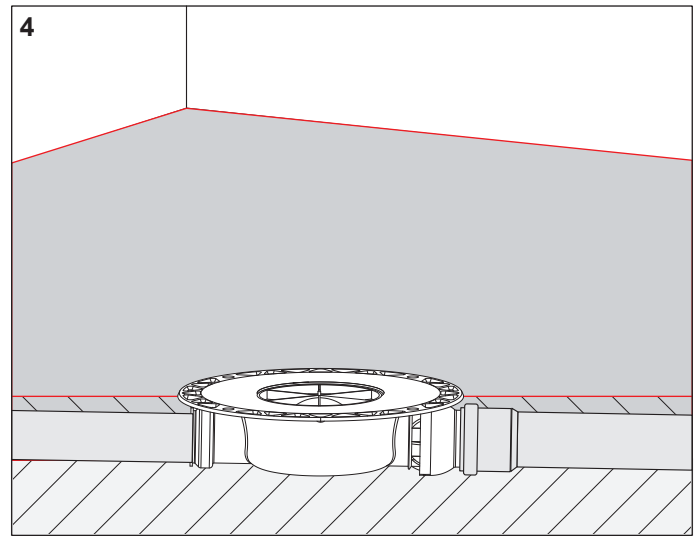
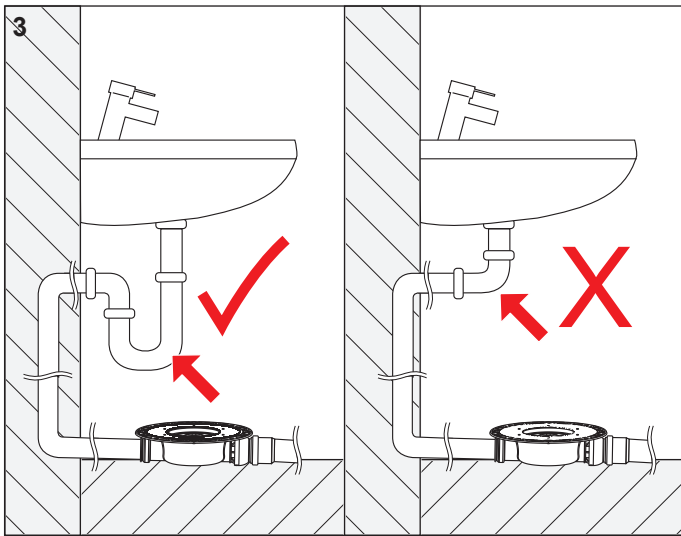
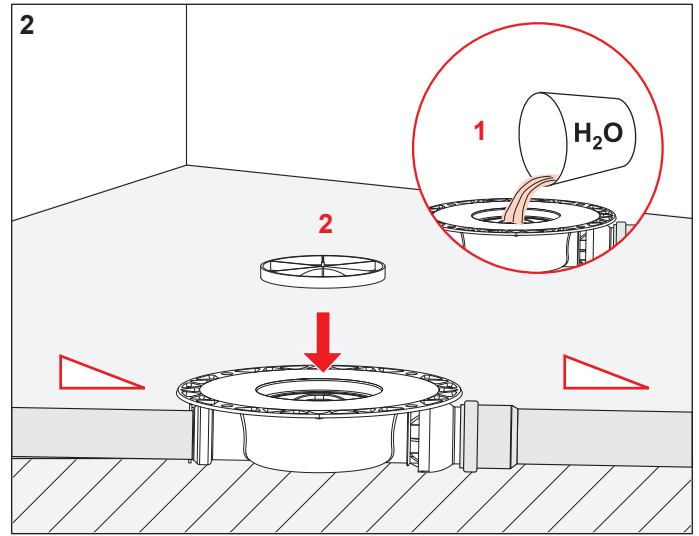
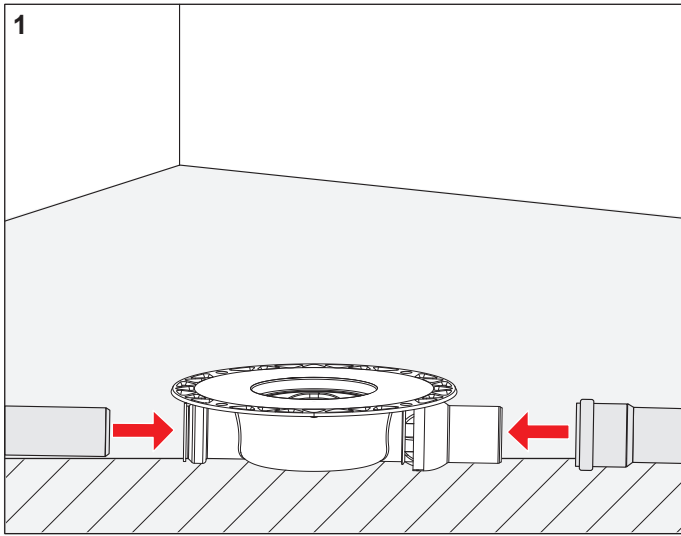
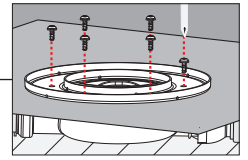
TECEdrainpoint S



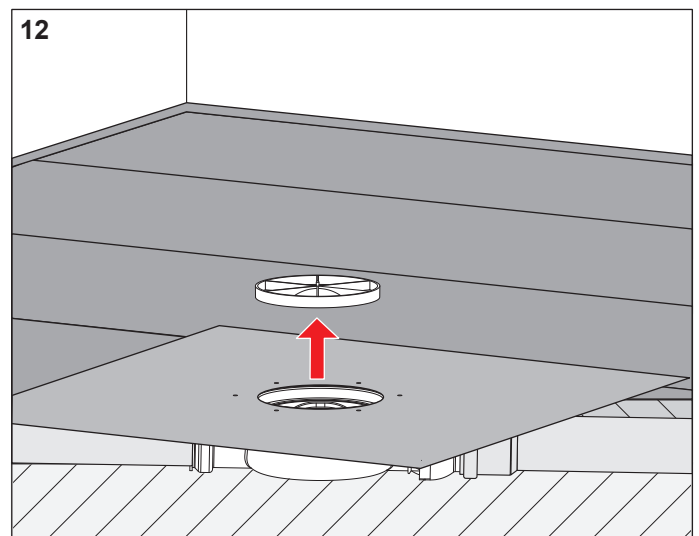
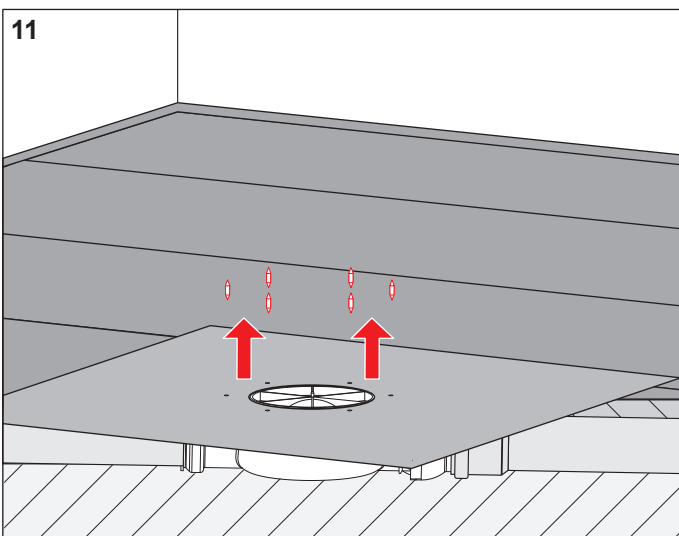
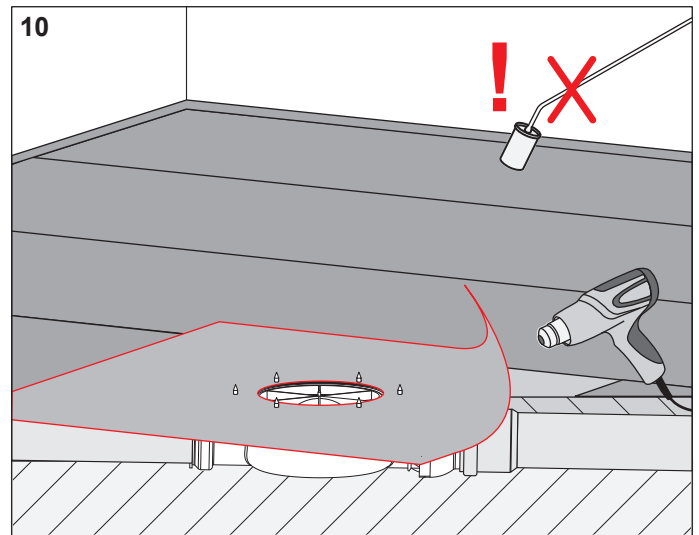
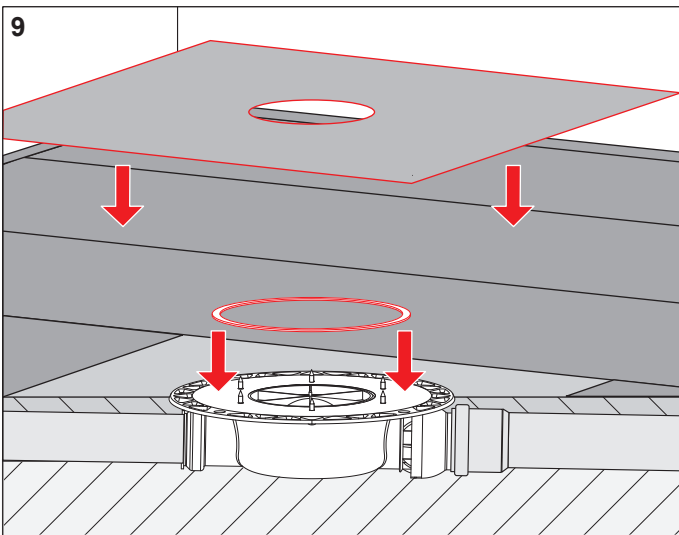
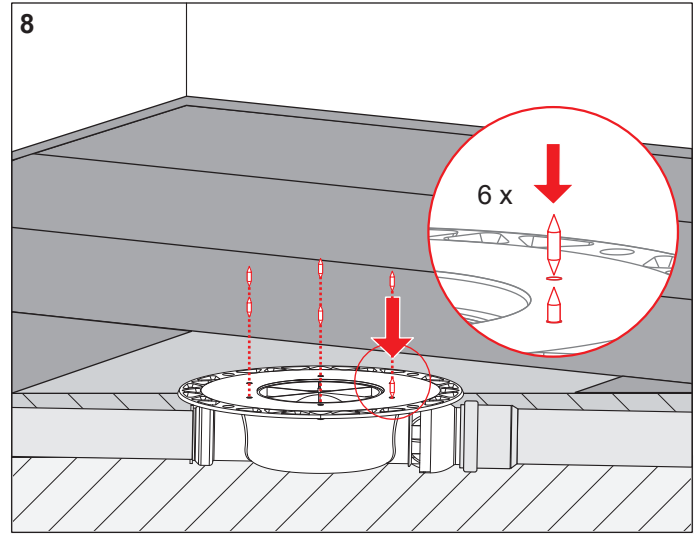
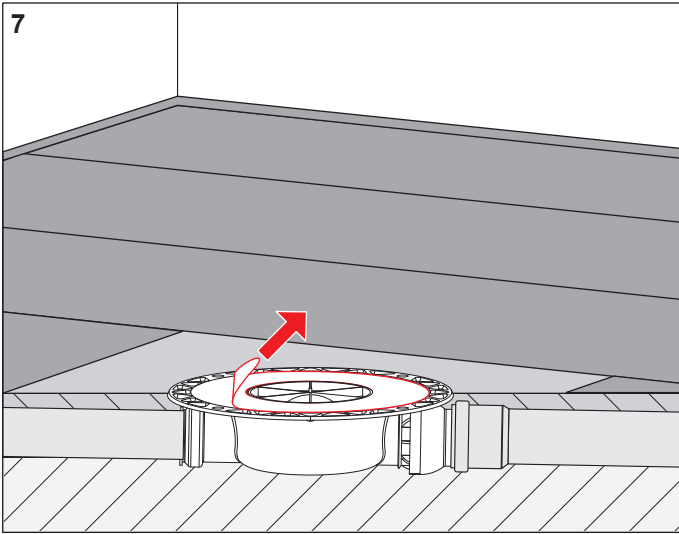
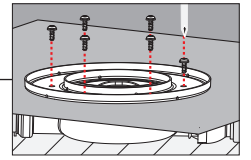
TECEdrainpoint S



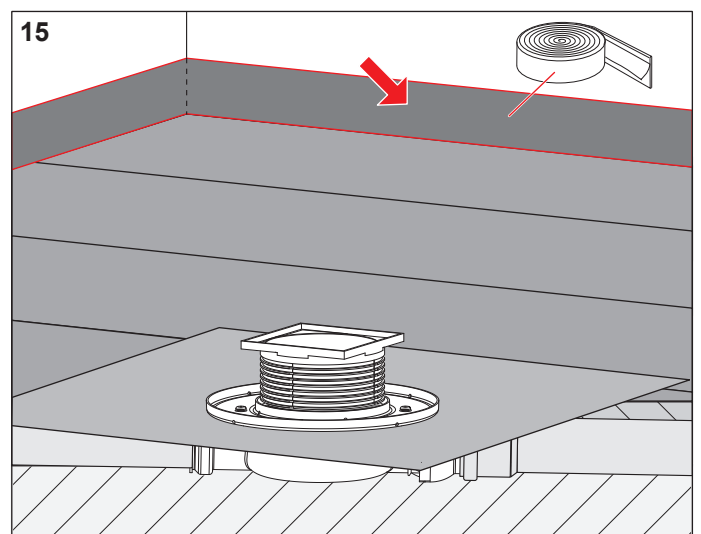
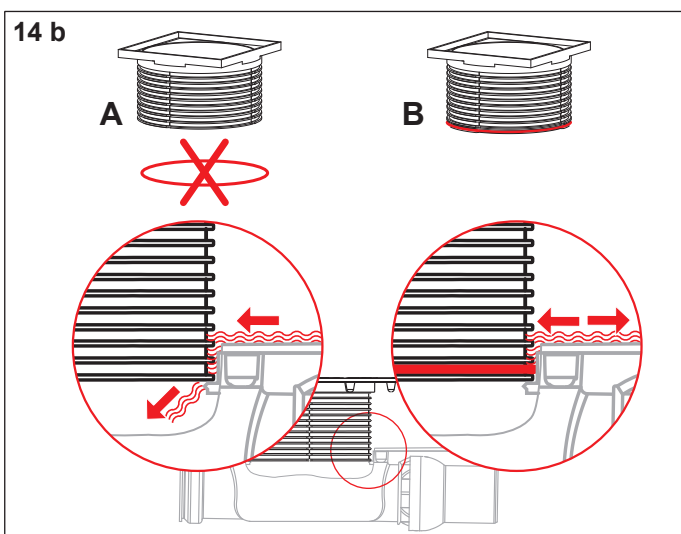
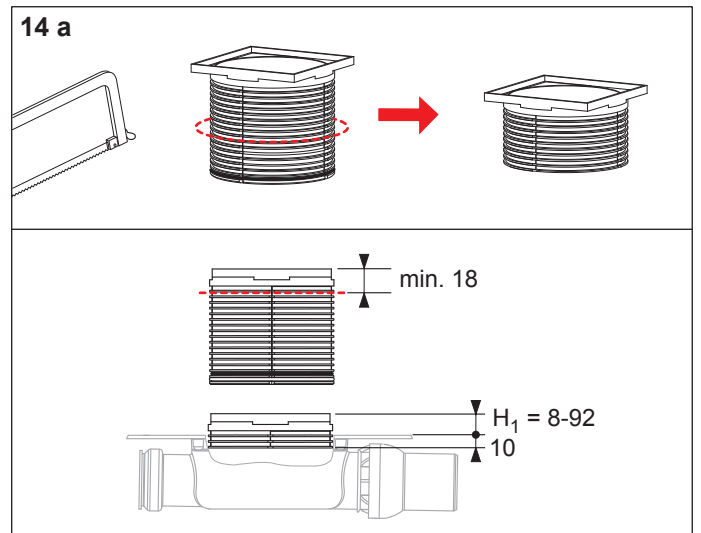
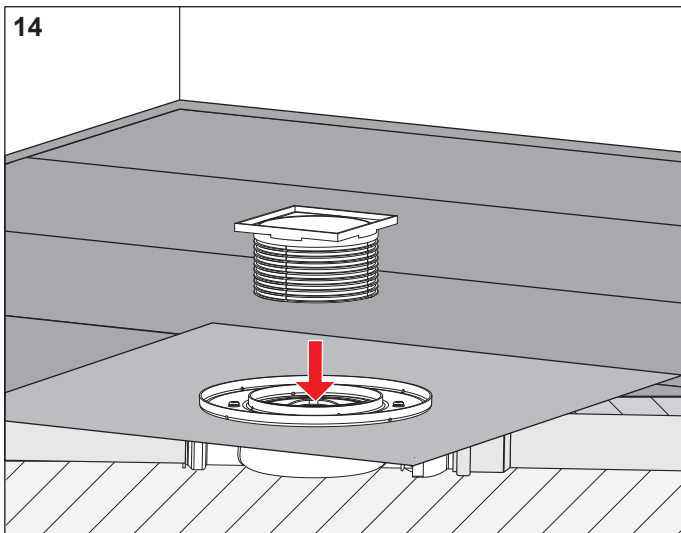
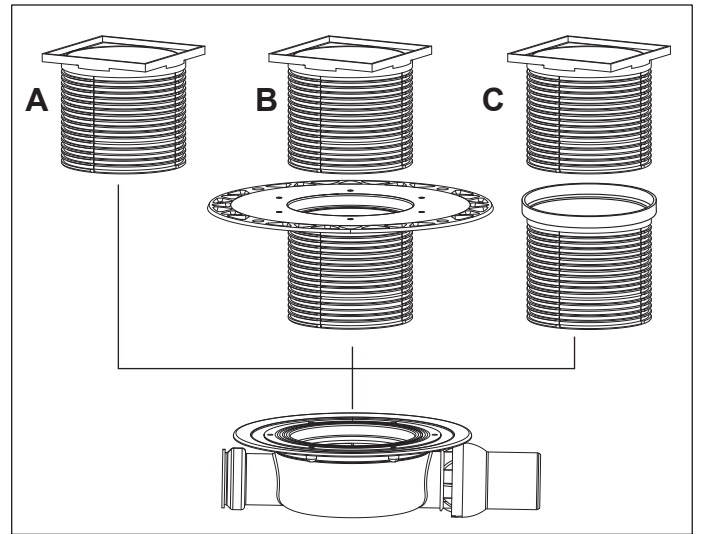
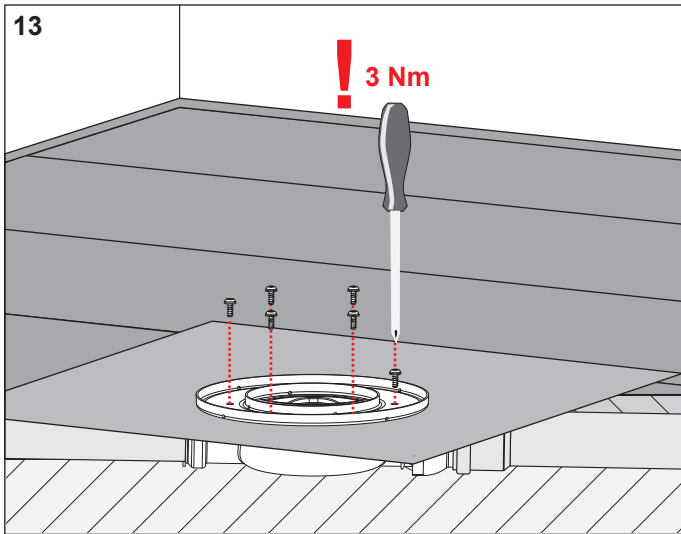
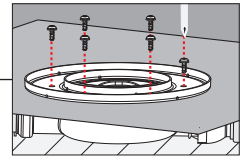
TECEdrainpoint S



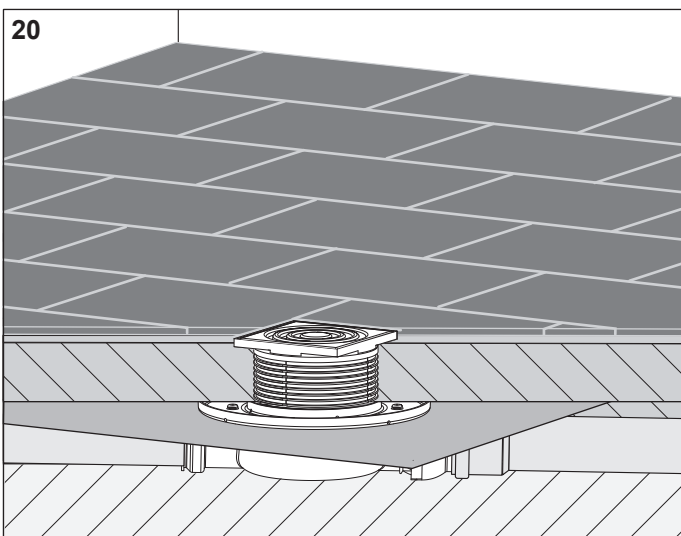
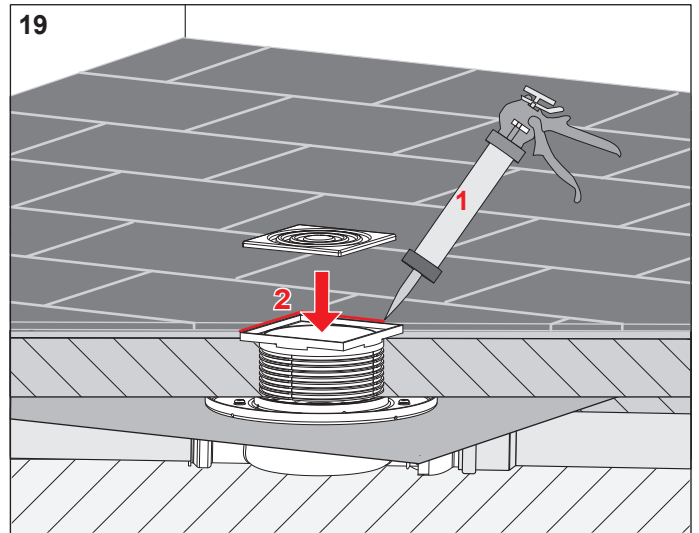
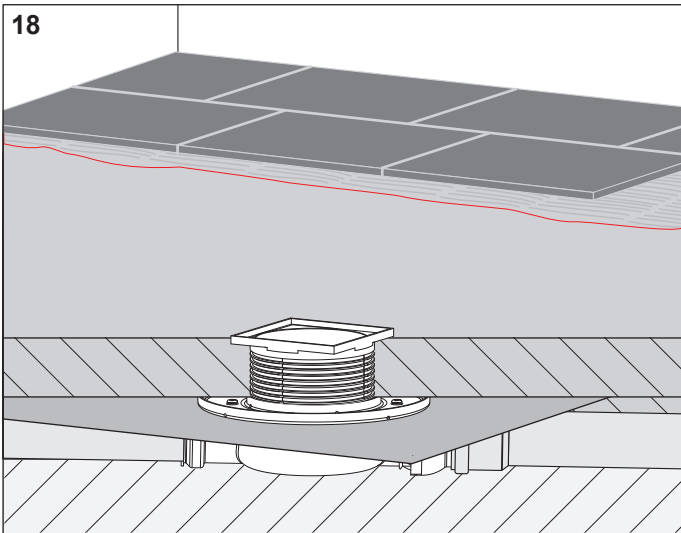
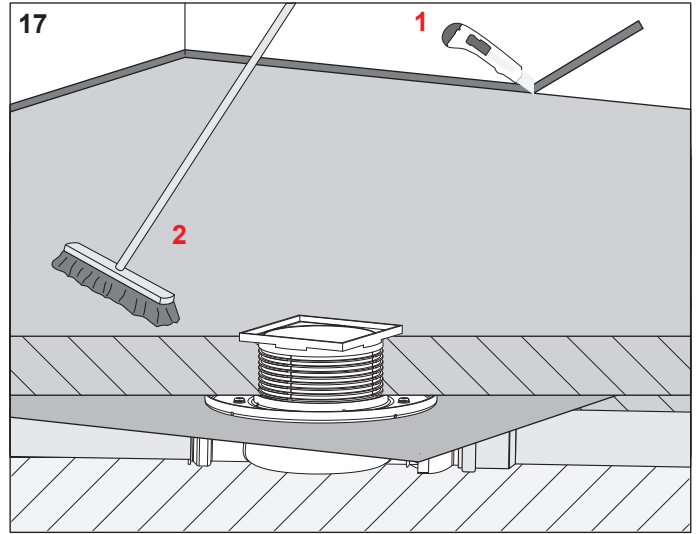
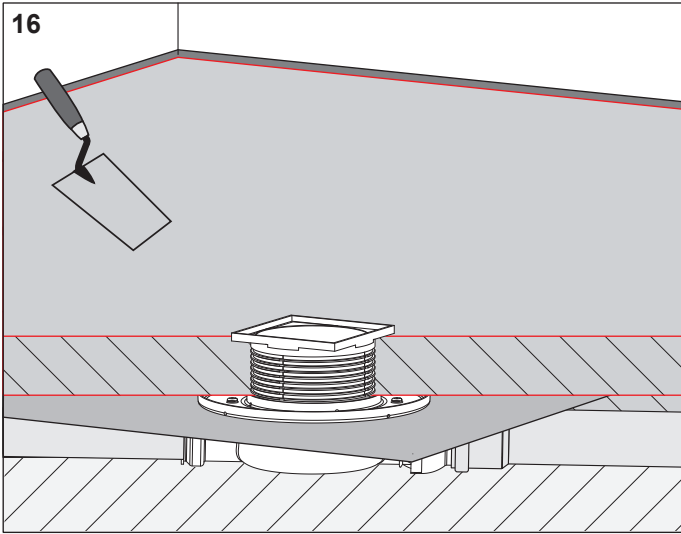
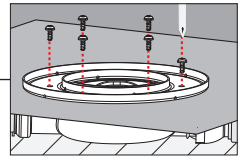
TECEdrainpoint S



TECEdrainpoint S



TECEdrainpoint S



AT430 026 00 f