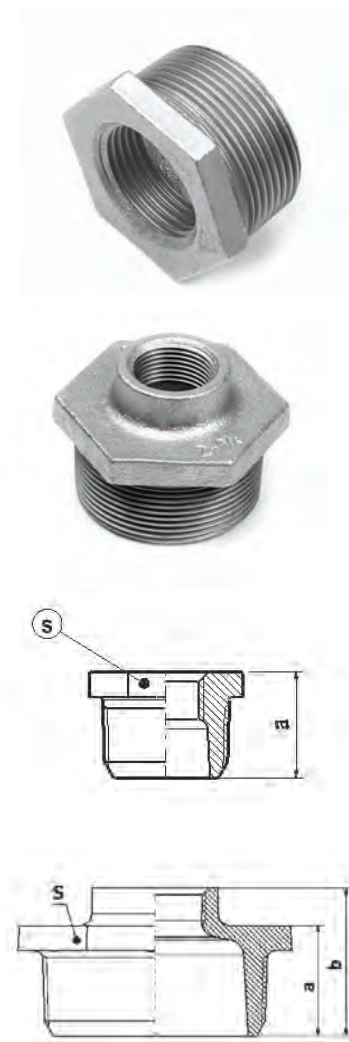





ART.241
ISO N4

ZMANJŠEVALNI KOS
REDUCING BUSH
NIPPLIO DI RIDUZIONE
REDUZIERNIPPEL



Dim. mm	velikost	koda	a	b	s			
15 - 10	1/2" - 3/8" Č	KA10490103	24		22	700	10	0,025
15 - 10	1/2" - 3/8" P	KA10495103	24		22	700	10	0,026
20 - 15	3/4" - 1/2" Č	KA10490106	26		30	330	10	0,048
20 - 15	3/4" - 1/2" P	KA10495106	26		30	330	10	0,050
25 - 20	1" - 3/4" Č	KA10490110	29		36	220	10	0,078
25 - 20	1" - 3/4" P	KA10495110	29		36	220	10	0,082
32 - 25	1 1/4" - 1" Č	KA10490215	31		46	170		0,137
32 - 25	1 1/4" - 1" P	KA10495215	31		46	170		0,144
40 - 32	1 1/2" - 1 1/4" Č	KA10490221	31		50	130		0,121
40 - 32	1 1/2" - 1 1/4" P	KA10495221	31		50	130		0,127
20-10	3/4" - 3/8" Č	KA10490105	26		30	330	10	0,058
20-10	3/4" - 3/8" P	KA10495105	26		30	330	10	0,061
25-15	1" - 1/2" Č	KA10490109	29		36	220	10	0,095
25-15	1" - 1/2" P	KA10495109	29		36	220	10	0,100
32-15	1 1/4" - 1/2" Č	KA10490213	31		46	150		0,191
32-15	1 1/4" - 1/2" P	KA10495213	31		46	150		0,201
32-20	1 1/4" - 3/4" Č	KA10490214	31		46	150		0,175
32-20	1 1/4" - 3/4" P	KA10495214	31		46	150		0,184
40-15	1 1/2" - 1/2" Č	KA10490218	31		50	120		0,240
40-15	1 1/2" - 1/2" P	KA10495218	31		50	120		0,252
40-20	1 1/2" - 3/4" Č	KA10490219	31		50	120		0,236
40-20	1 1/2" - 3/4" P	KA10495219	31		50	120		0,248
40-25	1 1/2" - 1" Č	KA10490220	31		50	120		0,202
40-25	1 1/2" - 1" P	KA10495220	31		50	120		0,212
50-25	2" - 1" Č	KA10490226	35		65	60		0,427
50-25	2" - 1" P	KA10495226	35		65	60		0,448
50-32	2" - 1 1/4" Č	KA10490227	35		65	60		0,330
50-32	2" - 1 1/4" P	KA10495227	35		65	60		0,347
50-40	2" - 1 1/2" Č	KA10490228	35		65	70		0,295
50-40	2" - 1 1/2" P	KA10495228	35		65	70		0,310
65-40	2 1/2" - 1 1/2" Č	KA10490234	40		80	40		0,615
65-40	2 1/2" - 1 1/2" P	KA10495234	40		80	40		0,646
65-50	2 1/2" - 2" Č	KA10490235	40		80	40		0,483
65-50	2 1/2" - 2" P	KA10495235	40		80	40		0,507
80-50	3" - 2" Č	KA10490239	44		95	24		0,800
80-50	3" - 2" P	KA10495239	44		95	24		0,840
80-65	3" - 2 1/2" Č	KA10490240	44		95	25		0,650
80-65	3" - 2 1/2" P	KA10495240	44		95	25		0,683
100-80	4" - 3" Č	KA10490247	57		120	12		1,750
100-80	4" - 3" P	KA10495247	57		120	12		1,800
50-15	2" - 1/2" Č	KA10490224	35	48	65	50		0,338
50-15	2" - 1/2" P	KA10495224	35	48	65	50		0,355
50-20	2" - 3/4" Č	KA10490225	35	48	65	50		0,350
50-20	2" - 3/4" P	KA10495225	35	48	65	50		0,368
65-25	2 1/2" - 1" Č	KA10490232	40	54	80	30		0,562
65-25	2 1/2" - 1" P	KA10495232	40	54	80	30		0,590
65-32	2 1/2" - 1 1/4" Č	KA10490233	40	54	80	30		0,610
65-32	2 1/2" - 1 1/4" P	KA10495233	40	54	80	30		0,641
80-32	3" - 1 1/4" Č	KA10490237	44	59	95	20		0,880
80-32	3" - 1 1/4" P	KA10495237	44	59	95	20		0,924
80-40	3" - 1 1/2" Č	KA10490238	44	59	95	20		0,870
80-40	3" - 1 1/2" P	KA10495238	44	59	95	20		0,914
100-50	4" - 2" Č	KA10490245	57	69	120	12		1,750
100-50	4" - 2" P	KA10495245	57	69	120	12		1,800