



The product model and code (6 digits) are printed on the sticker on the outside or the inside of the battery compartment cover. The manual may not be available in the selected language.

TA5 – TA5 A – TA5 B – TA5 C

COD. 546770

COD. 546730

COD. 546710

COD. 546750



PRODUCT DESCRIPTION

This is an easy-to-use MECHANICAL THERMOSTAT. It allows an accurate room temperature adjustment in the hosting room, thus meeting any users' needs as far as room comfort.

CONFORMITY TO THE STANDARDS

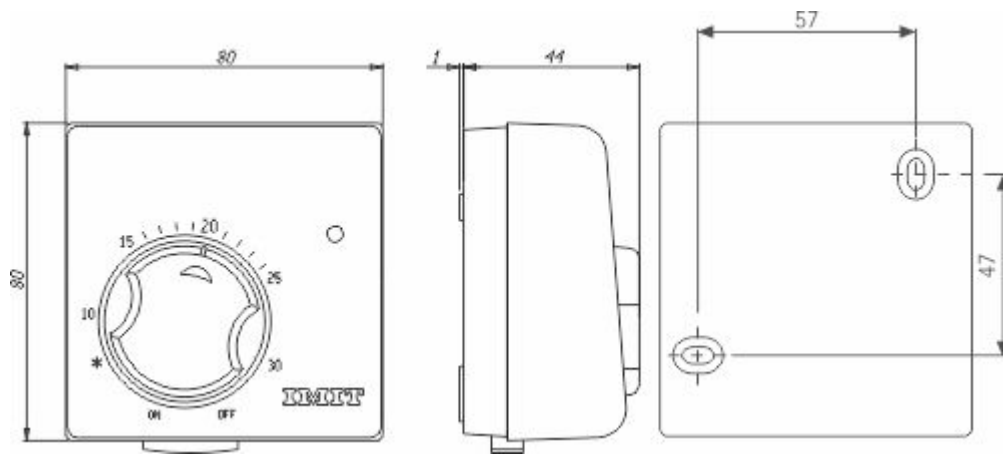
This product complies with:

- EN 60730-1 and subsequent revisions
- EN 60730-2-9

CONFORMITY TO THE GUIDELINES

- This product complies with:

We use cookies to ensure that we give you the best experience on our website. If you continue to use this site we will assume that you are happy with it.



It is recommended to install the appliance strictly in compliance with all safety and law provisions in force.

Before connecting the thermostat, make sure that the supply voltage of the UNIT TO BE CONTROLLED (boiler, pump, air-conditioning system, etc.) is NOT CONNECTED and that it matches the indication given inside the appliance (250V~ max). (fig.5)

In case of repeated malfunctioning, please call our Technical Service. Do not tamper for any reason with any part of the thermostat.

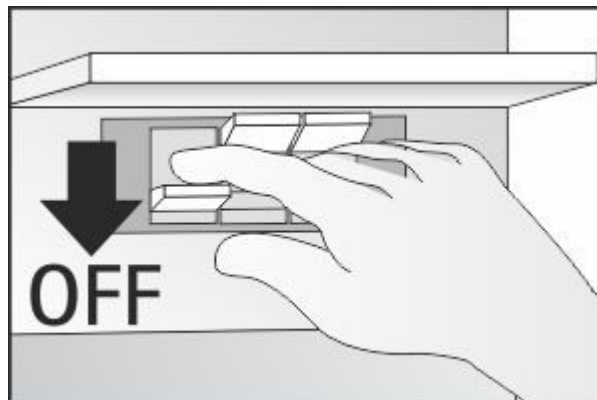


FIG. 5

TECHNICAL SPECIFICATIONS

Maximum capacity of the contacts 16(2,5)A/250V~

Type of action 1B

Temperature regulation range 5°÷30°C

Temperature differential 0,4K÷0,8K

Output switching contacts

Degree of protection IP 20

Insulation class Double insulation

Pollution degree 2





We use cookies to ensure that we give you the best experience on our website. If you continue to use this site we will assume that you are happy with it.

THERMOSTAT CONTROL KEYS

1 = Temperature setting knob (fig. 1)

2 = Warning lamp (TA5-A, TA5-B, TA5-C)

3 = ON/OFF switch (TA5-B) or SUMMER/WINTER switch (TA5-C)

TA5	
TA5-A	
TA5-B	 ON/OFF
TA5-C	 

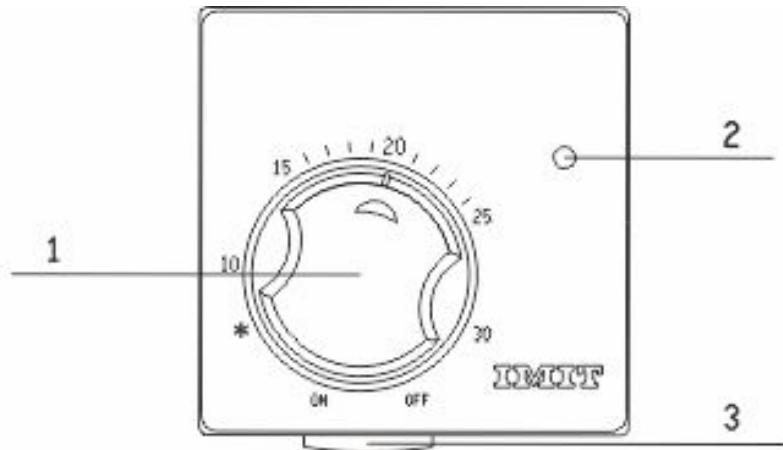


FIG. 1

OPTIONAL ACCESSORIES

Sub-base fitting = cod. 004095 (fig.3)

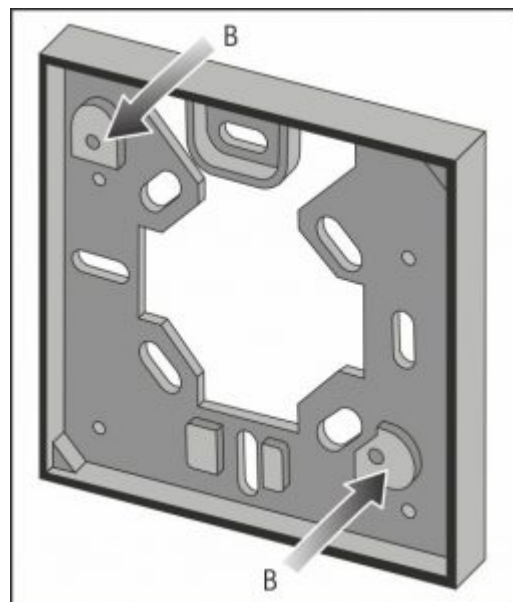
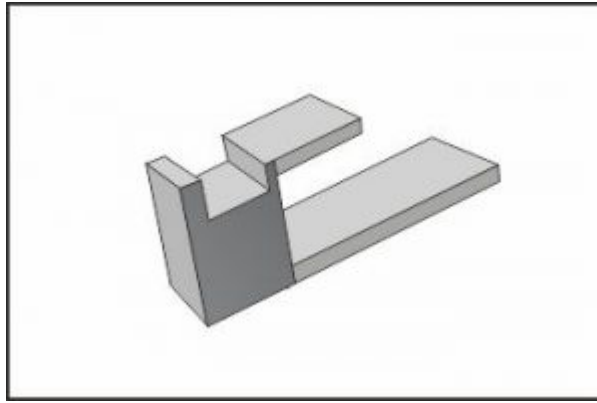


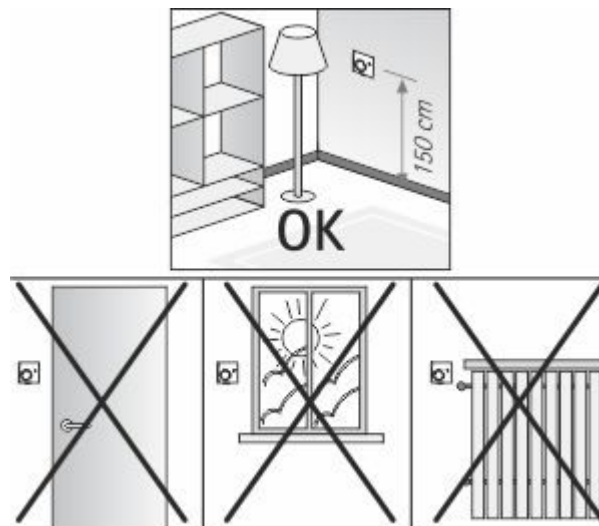
FIG. 3

We use cookies to ensure that we give you the best experience on our website. If you continue to use this site we will assume that you are happy with it.

**FIG. 4**

INSTALLATION

PLACEMENT OF THE THERMOSTAT

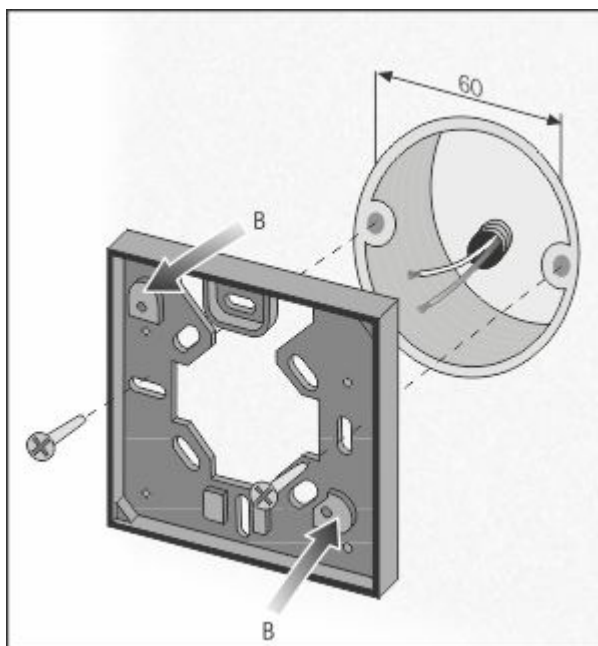
**FIG. 6**

Install the thermostat away from heat sources (radiators, sunrays, and kitchens) and away from doors/windows, at approx. 1,5 m height from the floor. (fig.6)

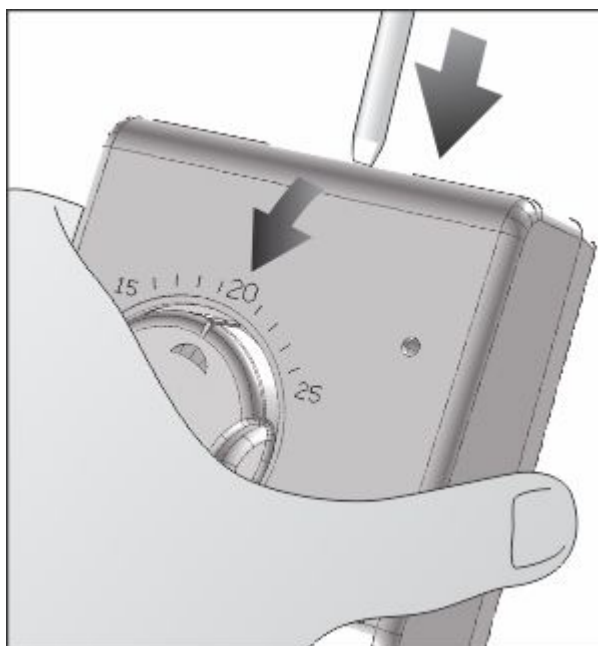
INSTALLATION AND WIRING CONNECTIONS

A) In case the thermostat shall be installed either in a round built-in box (having distance between centres equal to 60mm), or on an uneven wall surface or in other particular locations, it is recommended to use a sub-base fitting (see paragraph "Optional Accessories"). Fix the fitting to the wall through two holes other than the ones marked as B-B, which are exclusively provided for the thermostat installation. (fig.7)

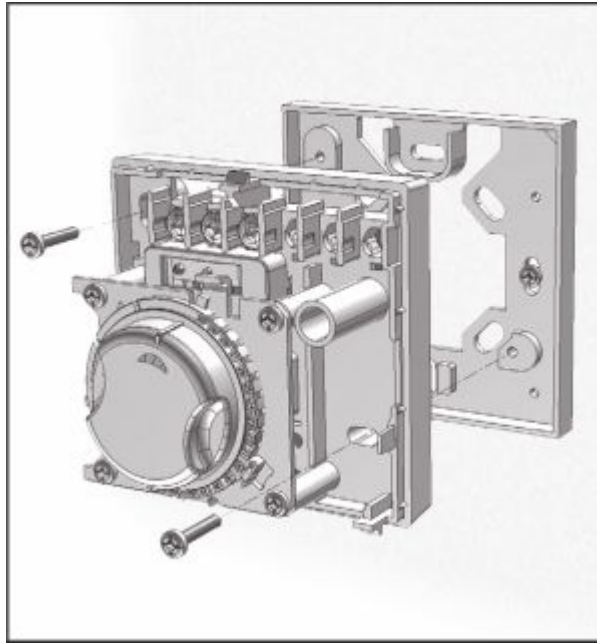
We use cookies to ensure that we give you the best experience on our website. If you continue to use this site we will assume that you are happy with it.

**FIG. 7**

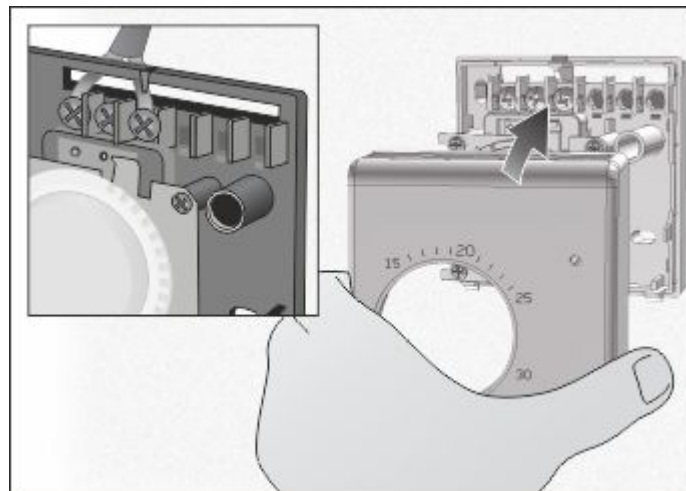
B) Remove the front cover from the thermostat base by releasing the provided clip (fig.8), then fix it to the wall (or to the sub-base fitting) through the provided holes (fig.9) and tighten it by means of suitable screws having max of 3,5 mm.

**FIG. 8**

We use cookies to ensure that we give you the best experience on our website. If you continue to use this site we will assume that you are happy with it.

**FIG. 9**

C) Thread the power supply wires through the slot in the base and connect them to the terminals as per the wiring diagram sketched inside the appliance. Snap the front cover back. (fig.10)

**FIG. 10**

DESCRIPTION OF CONTROLS AND OPERATION

TURNING THE THERMOSTAT ON AND OFF

On TA5-B, put the switch onto the "ON" position to start the equipment or onto the "OFF" to turn it off. (fig.12)

We use cookies to ensure that we give you the best experience on our website. If you continue to use this site we will assume that you are happy with it.

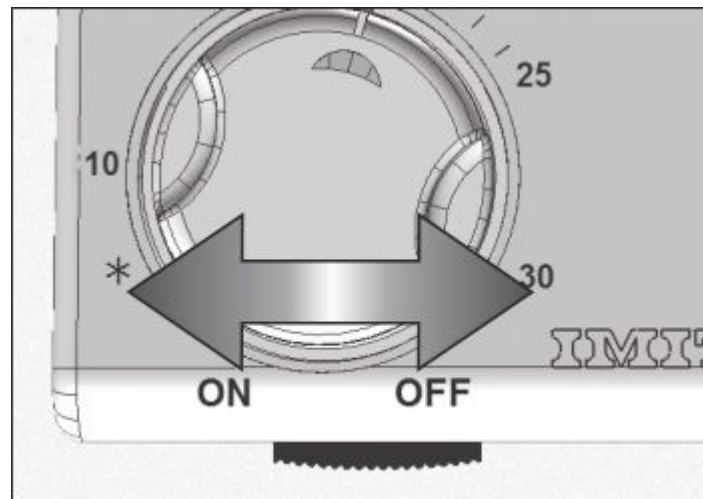


FIG. 12

TEMPERATURE SETTING

When the appliance is connected and the electric power is switched on, set the desired room temperature simply by turning the temperature-adjusting knob to the corresponding value on the graduated scale. (fig.11)

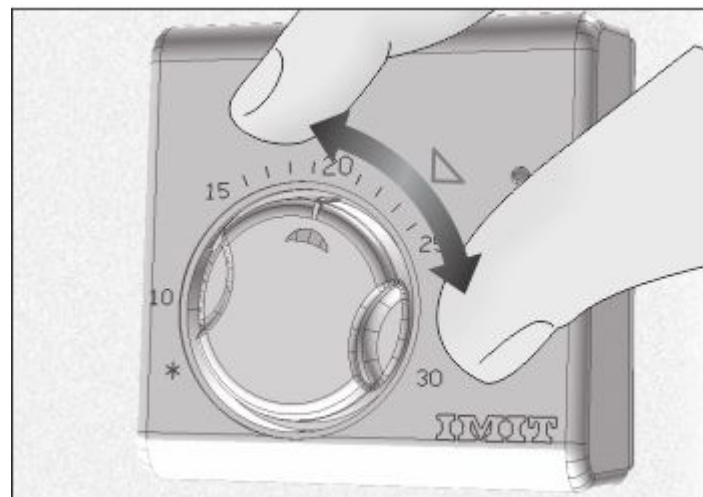


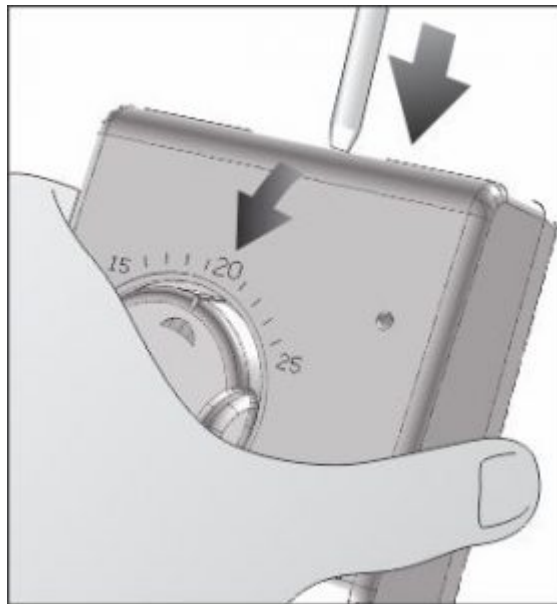
FIG. 11

TEMPERATURE RANGE RESTRICTION AND TEMPERATURE LOCK

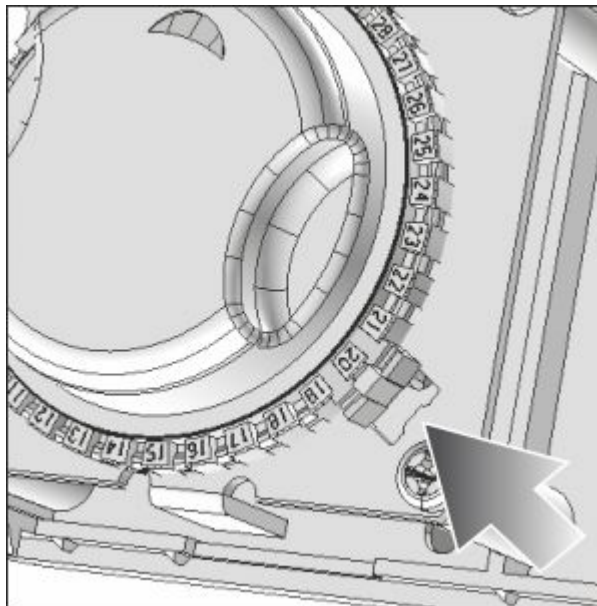
WARNING:
THE TEMPERATURE RANGE RESTRICTION AND TEMPERATURE LOCK OPERATIONS MUST BE CARRIED OUT BY QUALIFIED PERSONNEL ONLY.

TEMPERATURE RANGE RESTRICTION

We use cookies to ensure that we give you the best experience on our website. If you continue to use this site we will assume that you are happy with it.

**FIG. 8**

Insert the provided fitting (see paragraph “Optional Accessories”) in the knob at the desired limit points (min. and max.) according to the corresponding values marked on the knob body. Make sure that the metal retainer remains in its correct position between the min. and max. limit points. (fig.14); Snap the front cover back.

**FIG. 14**

TEMPERATURE LOCK

Position the knob to correspond with the desired temperature value, then separate the base from the cover by pressing the appropriate retaining tooth. (fig.8) Insert the two special accessories (see chapter “Accessories upon Request”) on the sides of the metal stop in order to prevent the handle from moving (fig.15); put the lid back on the product.

We use cookies to ensure that we give you the best experience on our website. If you continue to use this site we will assume that you are happy with it.

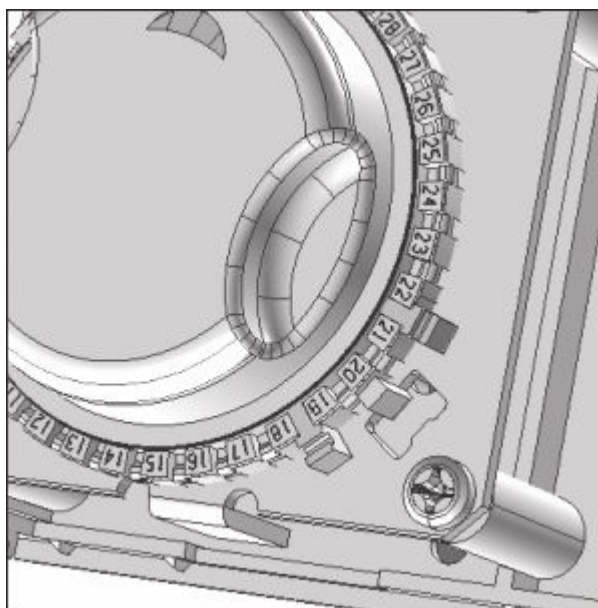


FIG. 15

SUMMER/WINTER SWITCH

On TA5-C, put the switch onto the ☀ position to set up the “summer” operation mode (air conditioning system), or onto the “ ” position to set up the “winter” operation mode (heating system). (fig.13 ☀ ” position to set up the “winter” operation mode (heating system). (fig.13 ☀ ” position to set up the “winter” operation mode (heating system). (fig.13 ☀ ” position to set up the “winter” operation mode (heating system). (fig.13 ☀ ” position to set up the “winter” operation mode (heating system).

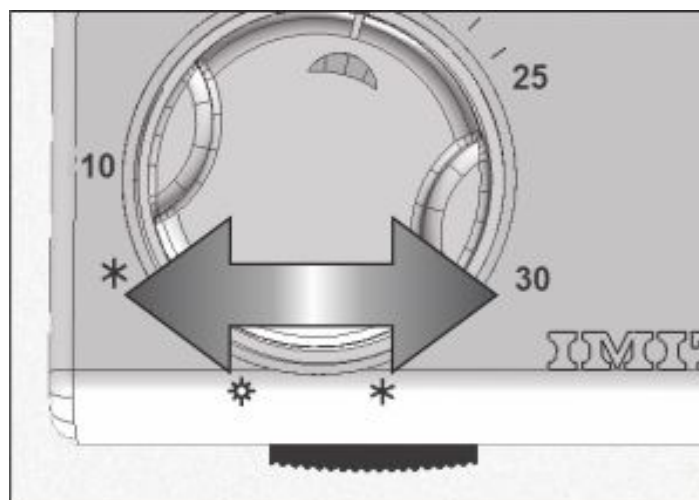


FIG. 13

PROBLEM SOLVING

Problem

The system does not start

We use cookies to ensure that we give you the best experience on our website. If you continue to use this site we will assume that you are happy with it.

Solution

- Check if the wiring connections to the thermostat terminals were carried out as per wiring diagram
- Increase or reduce the set temperature value according to the system application (heating/air-conditioning system)
- Put switch onto ON position
- Make sure the switch is on ☀ position (heating system) or o ☀ position (air conditioning system)

Problem

The ambient temperature does not correspond to the temperature set on the thermostat

Possible cause

- Incorrect positioning of the thermostat within the room
- Air draughts coming from the electrical wires conduit

Solution

- Follow the instructions of paragraph “Placement of the thermostat”
- Seal the conduit to prevent warm or cold air draughts

IMIT CONTROL SYSTEM s.r.l.

Via Varallo Pombia,19

Castelletto Sopra Ticino (NO)

Tel (+39)0331941600

Fax (+39)0331973100

P.IVA IT02223920063

www.imit.it - info@controlsys.it

We use cookies to ensure that we give you the best experience on our website. If you continue to use this site we will assume that you are happy with it.